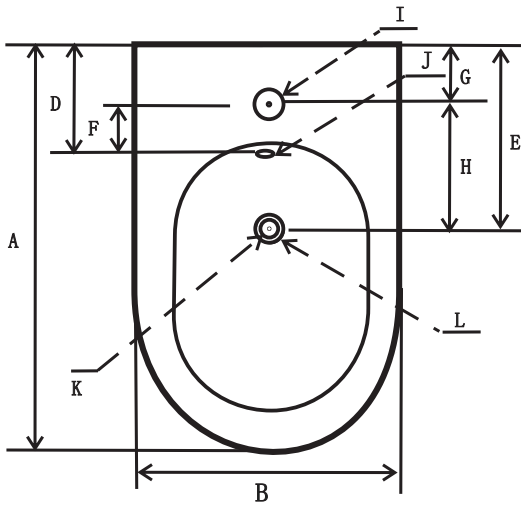
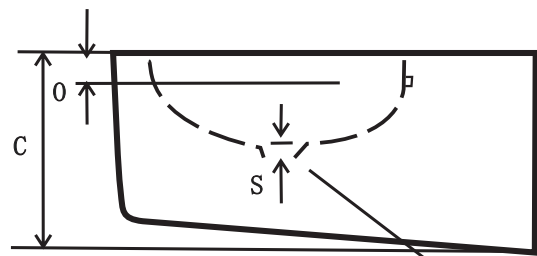


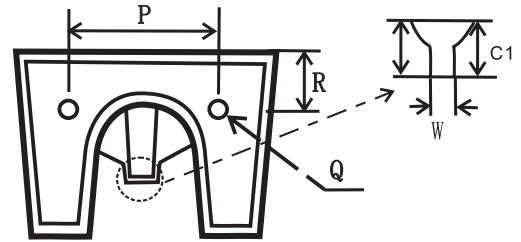
TOP VIEW



SIDE VIEW



BACK VIEW



SPECIFICATION	CBM
56.5X36.5X26.5	0.055

NOTE: ALL DIMENSION ARE IN MILLIMETER.

TOTAL KGS. \_\_\_\_\_

POSITION	SIZE	TOLERANCE	SAMPLE 1	SAMPLE 2	SAMPLE 3	AVERAGE
A		±3%	550			
B		±3%	360			
C		±3%	240			
C1			47			
D			144			
E			220			
F			63			
G			80			
H			140			
I	35	± $\frac{2}{1}$	35			
J	23	±3	23			
K	46	± $\frac{2}{3}$	46			
L	≤75		68			
O			35			
P			180			
Q			23			
R			77			
S	45	± $\frac{5}{0}$	48			
S1	45	± $\frac{0}{5}$	46			
W			31			