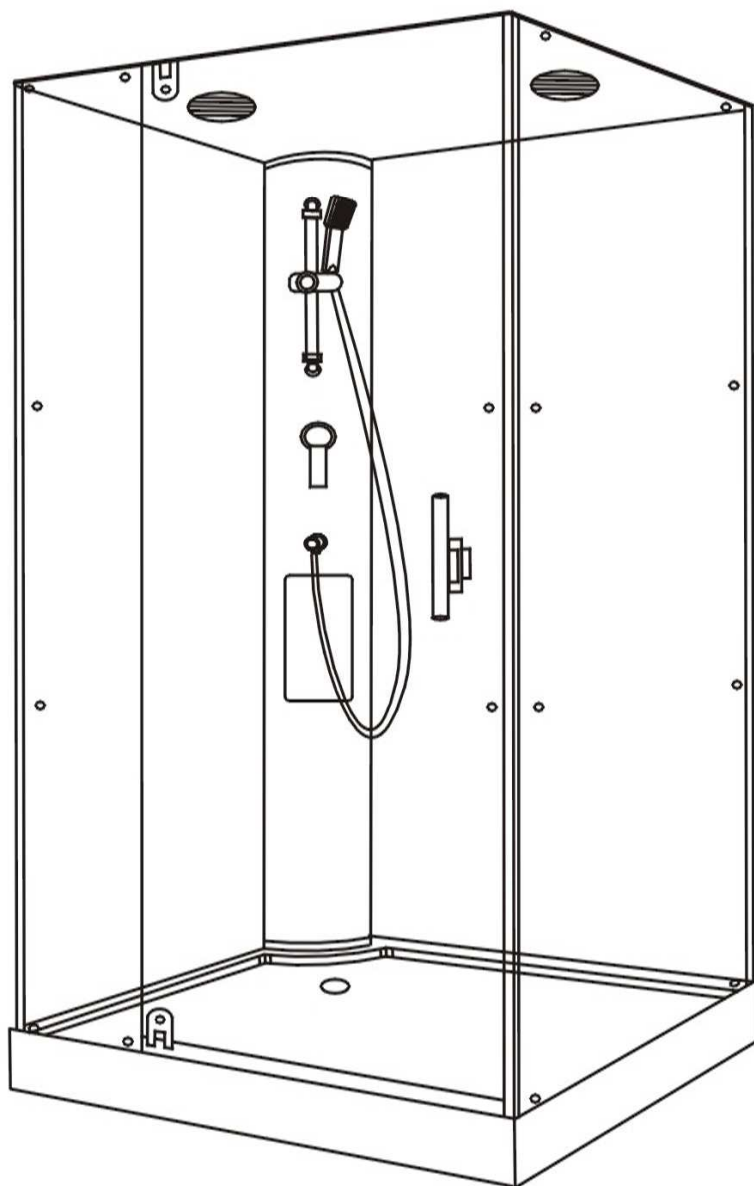


Full glass shower room

Model :KF0808, KF0909, KF1010,
KF1111, KF1008, KF1109,



Installation and Operation Manual

Contens	Page
Warning	1
Caution	2
Water parameters	2
Dimensions for Water Supply,Drain Hole	3
accessories	4
Overview	5
Tools	15
Install instruction	15
Parts installation	25
Water massage	26
Shower	26





Dear user,

Thank you for purchasing our leisure sanitary ware. To enable you to use this product safely and effectively, please read this Installation and Operation Manual carefully before use.

Warning:

- 1. Please read this manual carefully before use.**
- 2. Take care to use this product for people after drink, people suffering from heart disease or hypertension, and the elder and pregnant women.**
- 3. Any child or person with mental disability must use this product with the company of the adult.**
- 4. To get the water, turn the tap to the middle of the hot/cold water indication first, pull on the tap, try to feel the water temperature with the fingers, and turn the tap to get the desirable temperature then avoid the sudden scald by hot water.**
- 5. If you feel uncomfortable, please shut off the power immediately.**

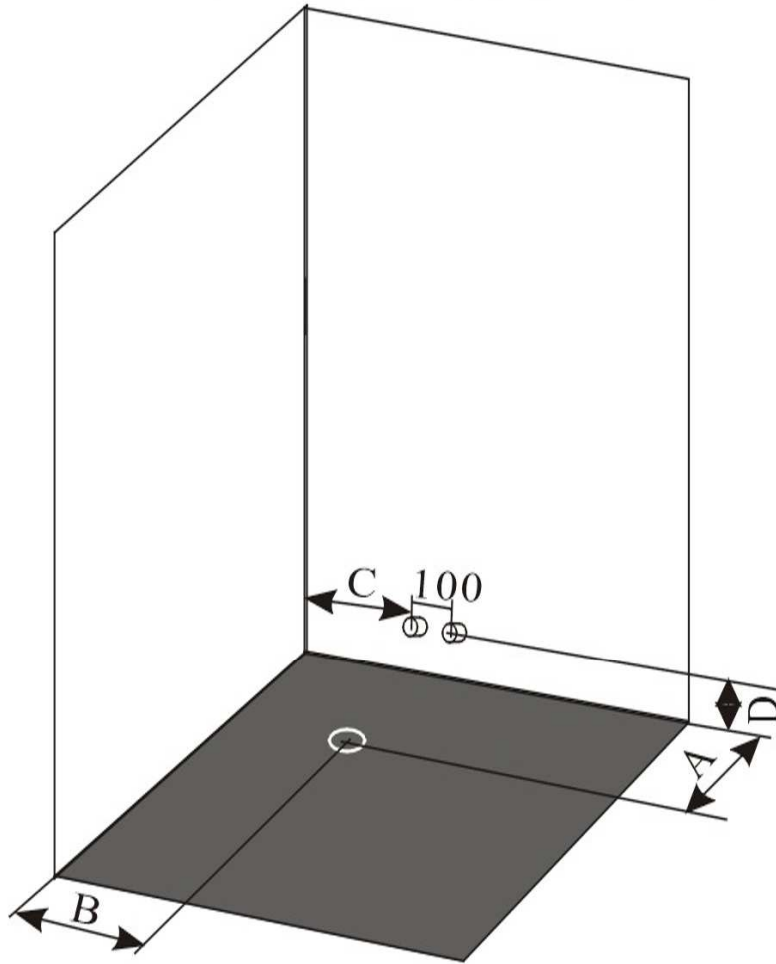
Caution:

	<p>3 people are recommended to assemble this shower cabin.</p>
	<p>Goggles are recommended to protect the eyes.</p>
	<p>Caution: Always Handle Glass With Care! Always protect the edges and corners of the glass when assembling.</p>
	<p>Gloves are recommended to prevent slippery on glass.</p>

Water parameters

Connector apertures for supply/drain pipe	
Cold/hot water	Drainer
G 1/2"	φ 40mm

Dimensions for Water Supply, Drain Hole



Model : KF0808	
Size : 800X800X2120	
A	220mm
B	220mm
C	300mm
D	50mm

Model : KF0909	
Size : 900X900X2120	
A	190mm
B	190mm
C	300mm
D	50mm

Model : KF1010	
Size : 1000X1000X2120	
A	240mm
B	240mm
C	300mm
D	50mm

Model : KF1111	
Size : 1100X1100X2120	
A	240mm
B	240mm
C	300mm
D	50mm




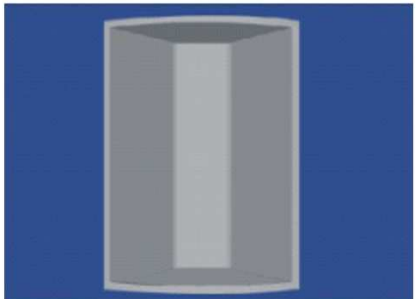



Model : KF1008	
Size : 1000X800X2120	
A	250mm
B	250mm
C	300mm
D	50mm



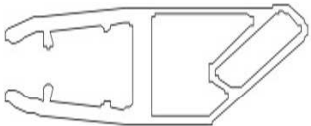

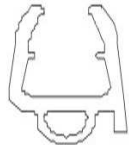

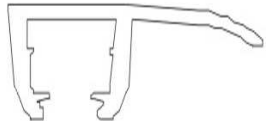

Model : KF1109	
Size : 1100X900X2120	
A	250mm
B	250mm
C	300mm
D	50mm

Note: (1) G1/2" connector is taken for cold/hot water supply, with the elbow 30mm out of the wall. It is recommended to provide a valve for each of the cold and hot water pipeline.

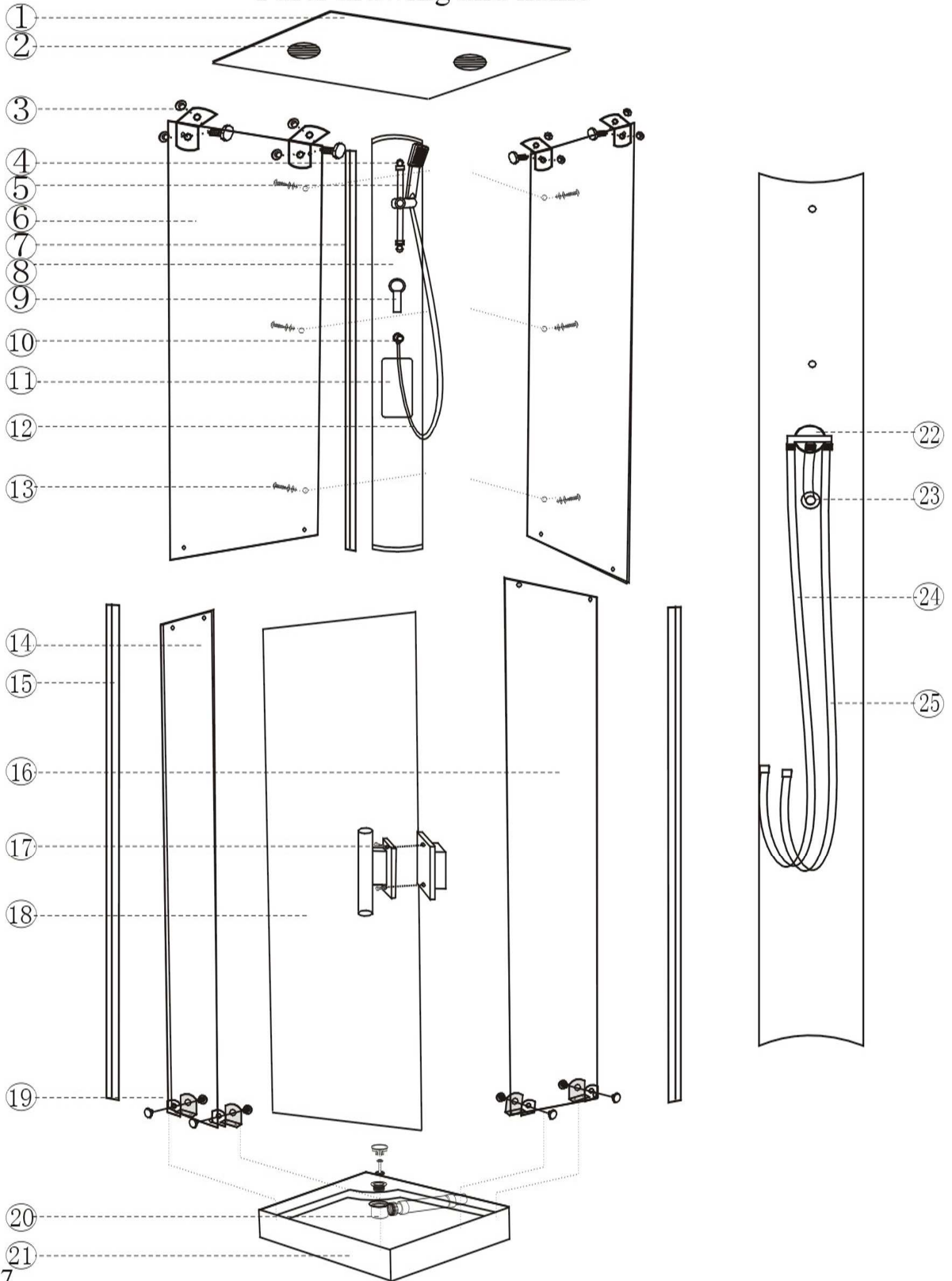
Accessories

NO.	Accessories	Quantity	Size	Image
1	Tray	1		
2	Shower head joint	1		
3	(H802) Shower pipe	1	1.5m	
4	Cold and hot water pipe	2	2m	
5	axial hinge	2	Screw: ST4X16	
6	(KDBA11) single-functional faucet	1		
7	tube handle	1		

NO.	Accessories		Quantity	Size	Image
8	Loudspeaker cover		2		
9	Column fixed screw		6	ST4X25	
10	function pole upper-lower seal		2		
11	soap box		1		
12	0° glass clamp	KF0808 KF0909 KF1010 KF1008	7	Screw: ST4X16	
		KF1111 KF1109	8		
13	90° glass clamp	KF0808 KF0909 KF1010 KF1008	11		
		KF1111 KF1109	12		
14	(9060C) mobilizable shower head		1		

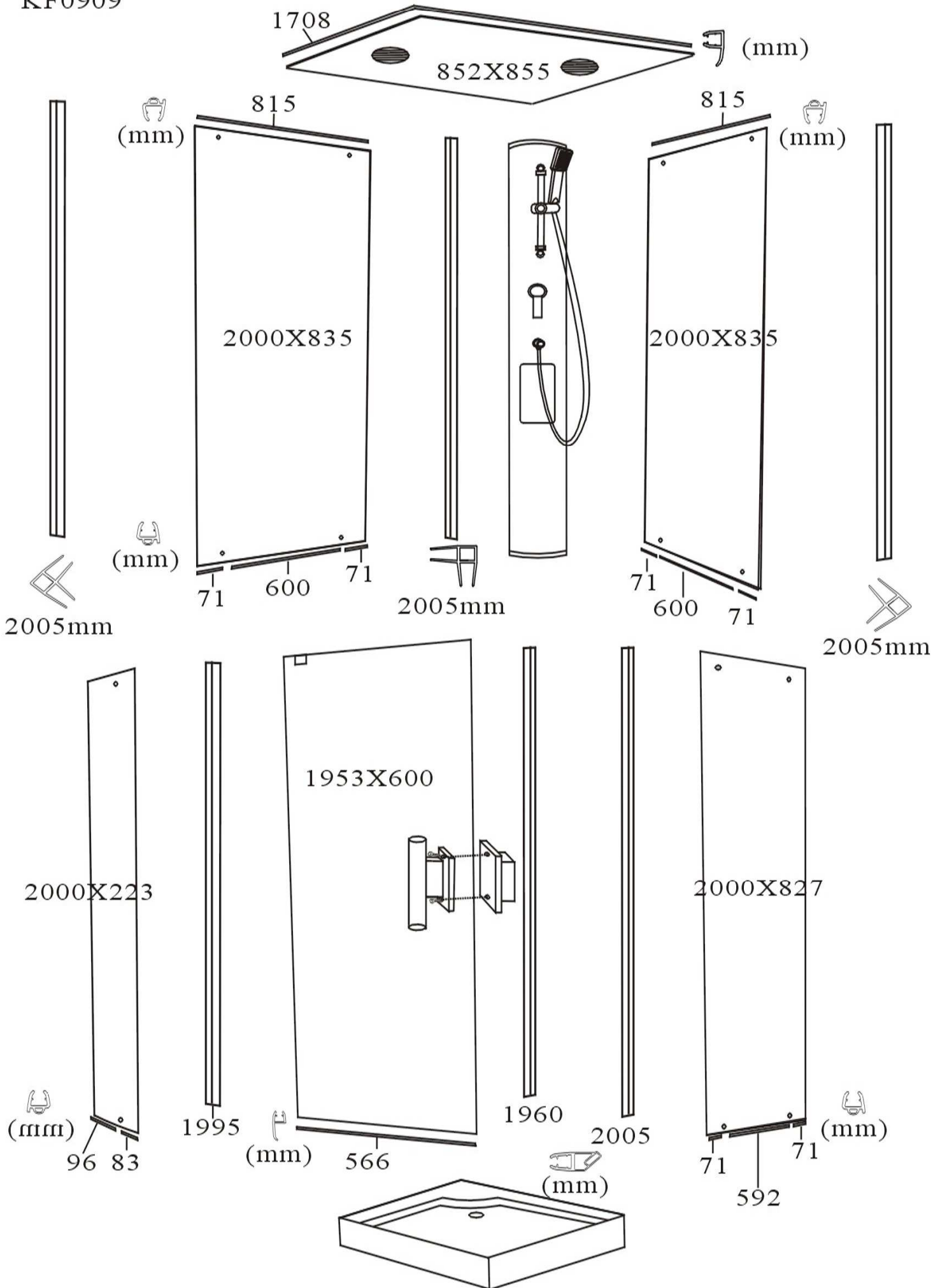
NO.	Accessories	Quantity	Size	Image
15	Elevating lever +holder	1	320mm	
16	90° plastic tape	3	2005mm	
17	(308A2X6) magnetic tape	2	1960mm 2005mm	
18	(309BX6) bottom-door water proof tape	1	566	
19	(307BX6) upper-lower water proof tape		Please find specification in parts drawing	
20	(309BX6) by-door water proof tape	1	1995mm	
21	(L438X6) capping water proof tape	1	Please find specification in parts drawing	
22	funition pole	1	1998mm	
23	6mm glass	7	Please find specification in parts drawing	

Parts drawing and name

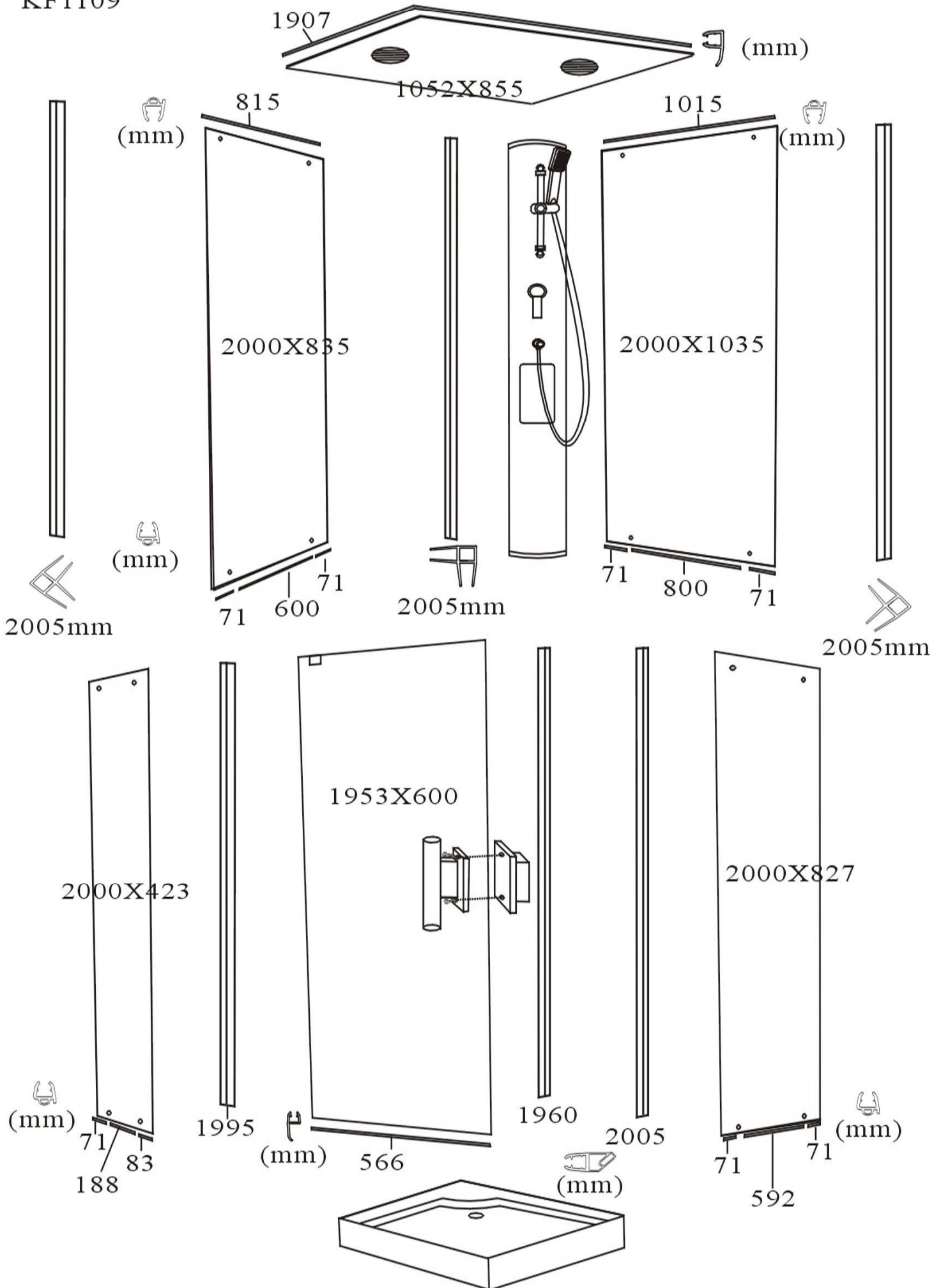


1	top cover	17	handle set
2	Loudspeaker cover	18	glass door
3	L Glass clamp	19	glass clamp
4	Sliding Bar	20	Drainage set
5	hand shower	21	tray
6	back glass	22	single-functional faucet
7	90° gasket	23	shower head joint
8	Al-alloy	24	cold water pipe
9	single-functional faucet	25	hot water pipe
10	shower head joint	26	
11	soap box	27	
12	shower pipe	28	
13	ST4X25 screw	29	
14	fixed glass	30	
15	90° gasket	31	
16	fixed glass	32	

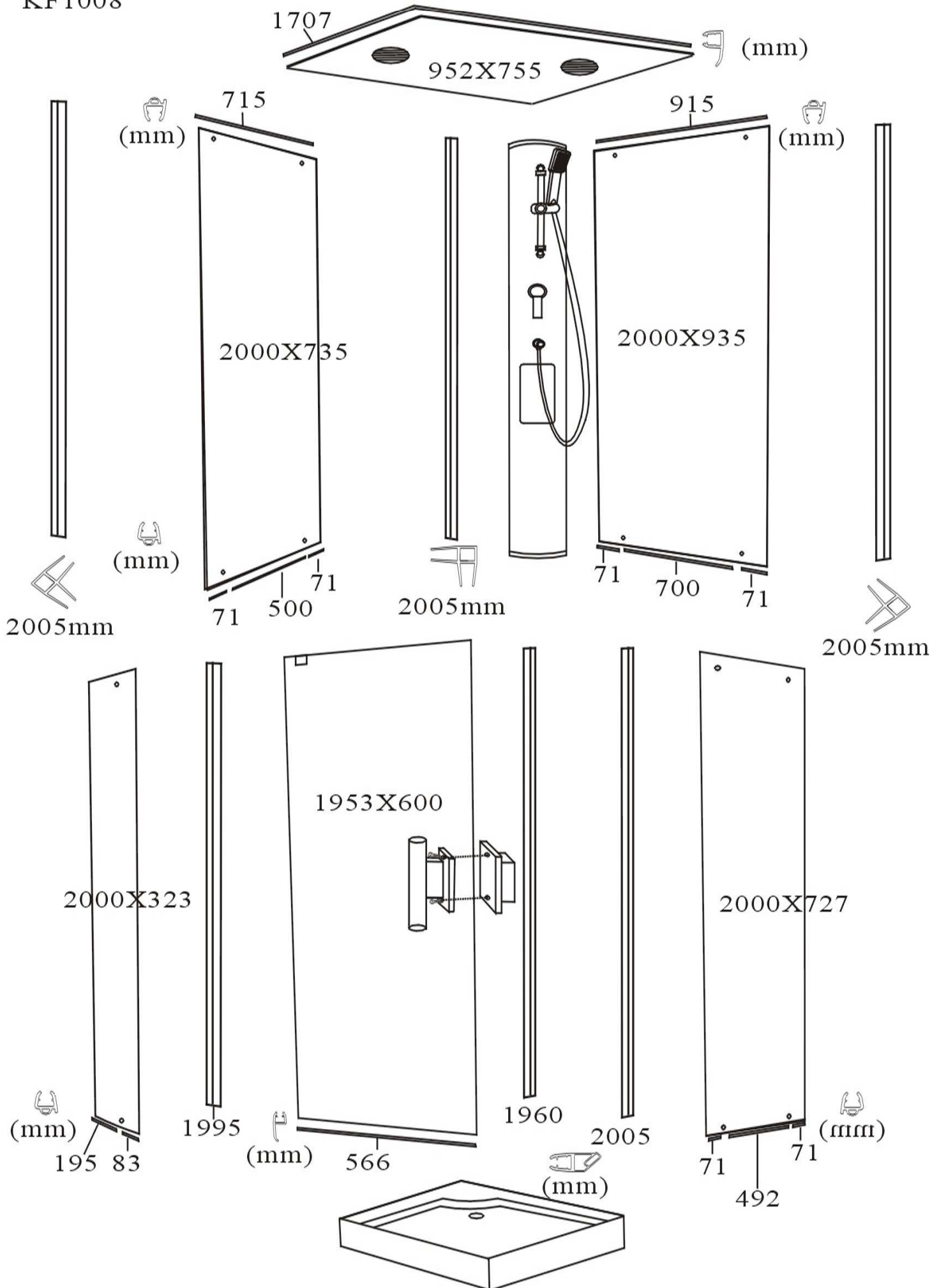
KF0909



KF1109



KF1008



TOOLS



Level gauge



Movable wrench



Cross-head
screw driver



Inner
Allen key



Scissors

Install instruction

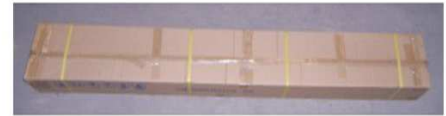
Total three packages are included: top glass and tray is one, surrounding glass is another, The last is the function pole and other accessories. Handle with care when process the assembling. put some soft stuffing on the ground, then put glass and accessies on it.



Tray package

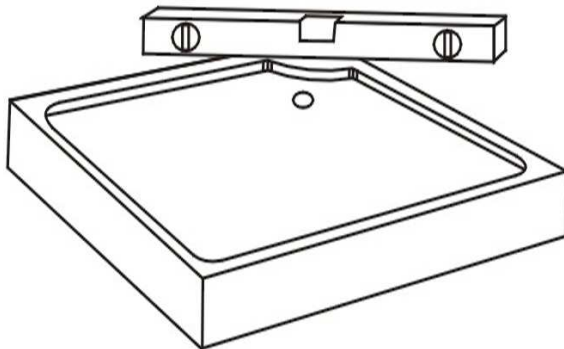


body package

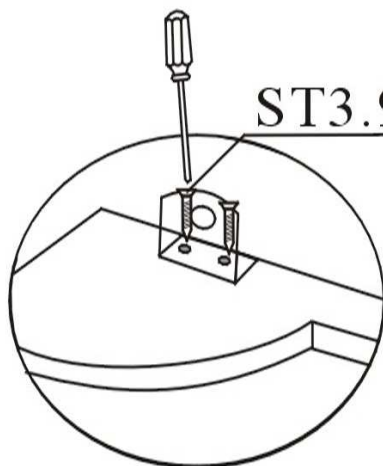


column package

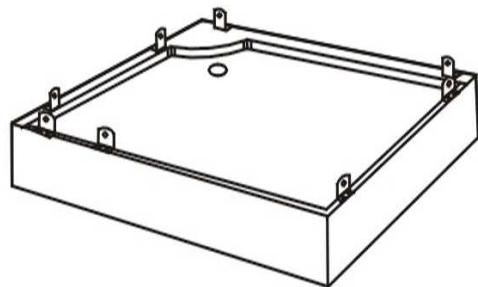
1



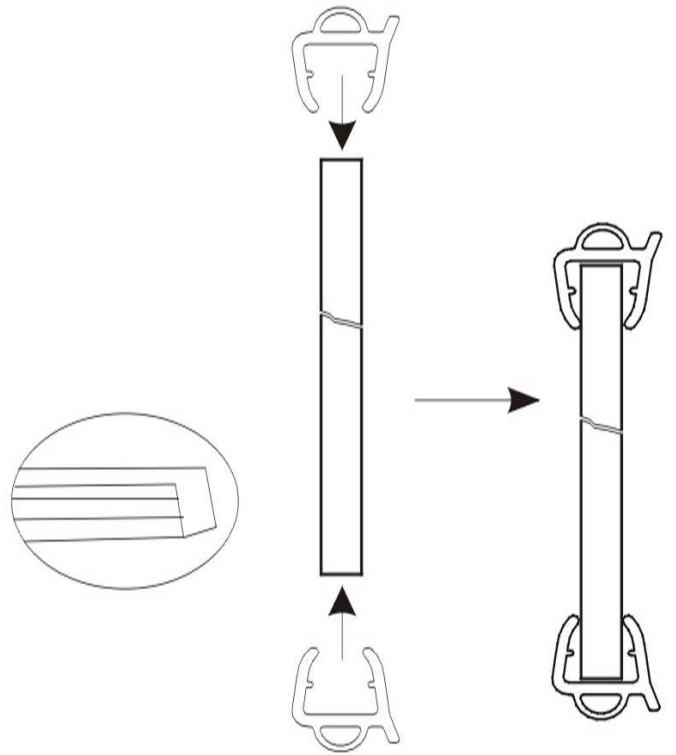
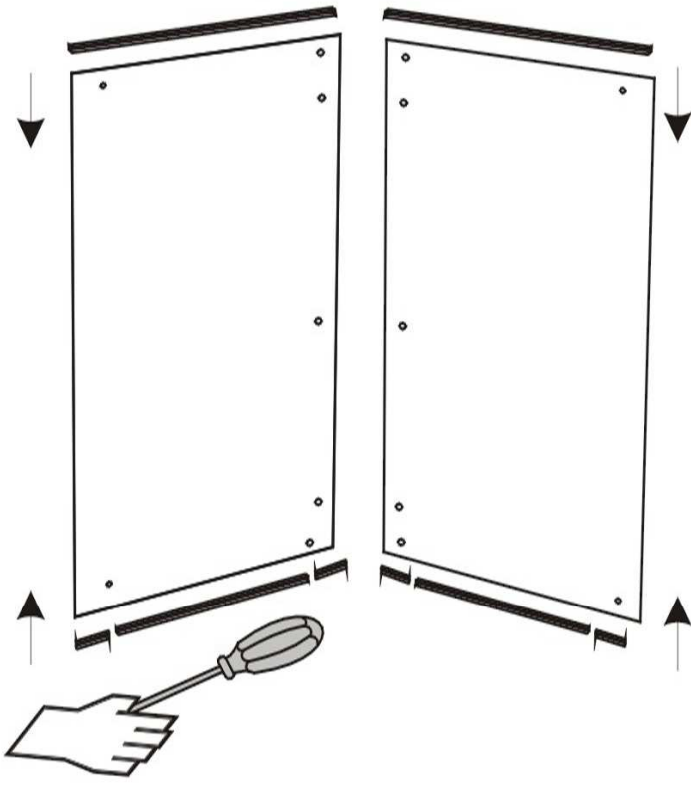
2



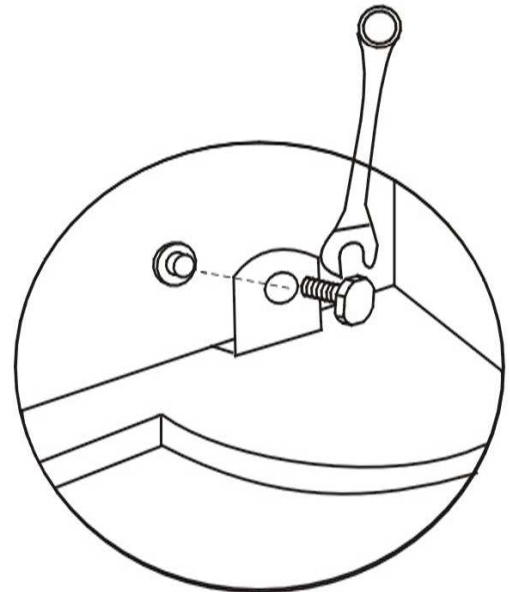
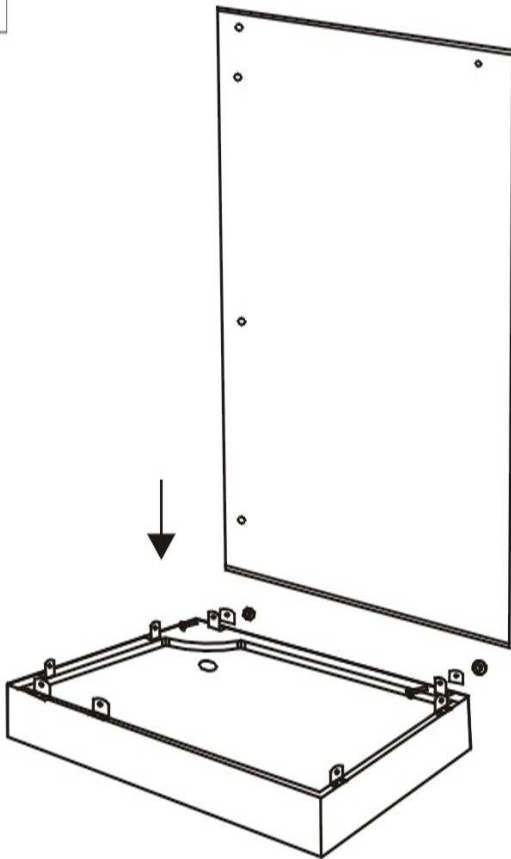
ST3.9X16

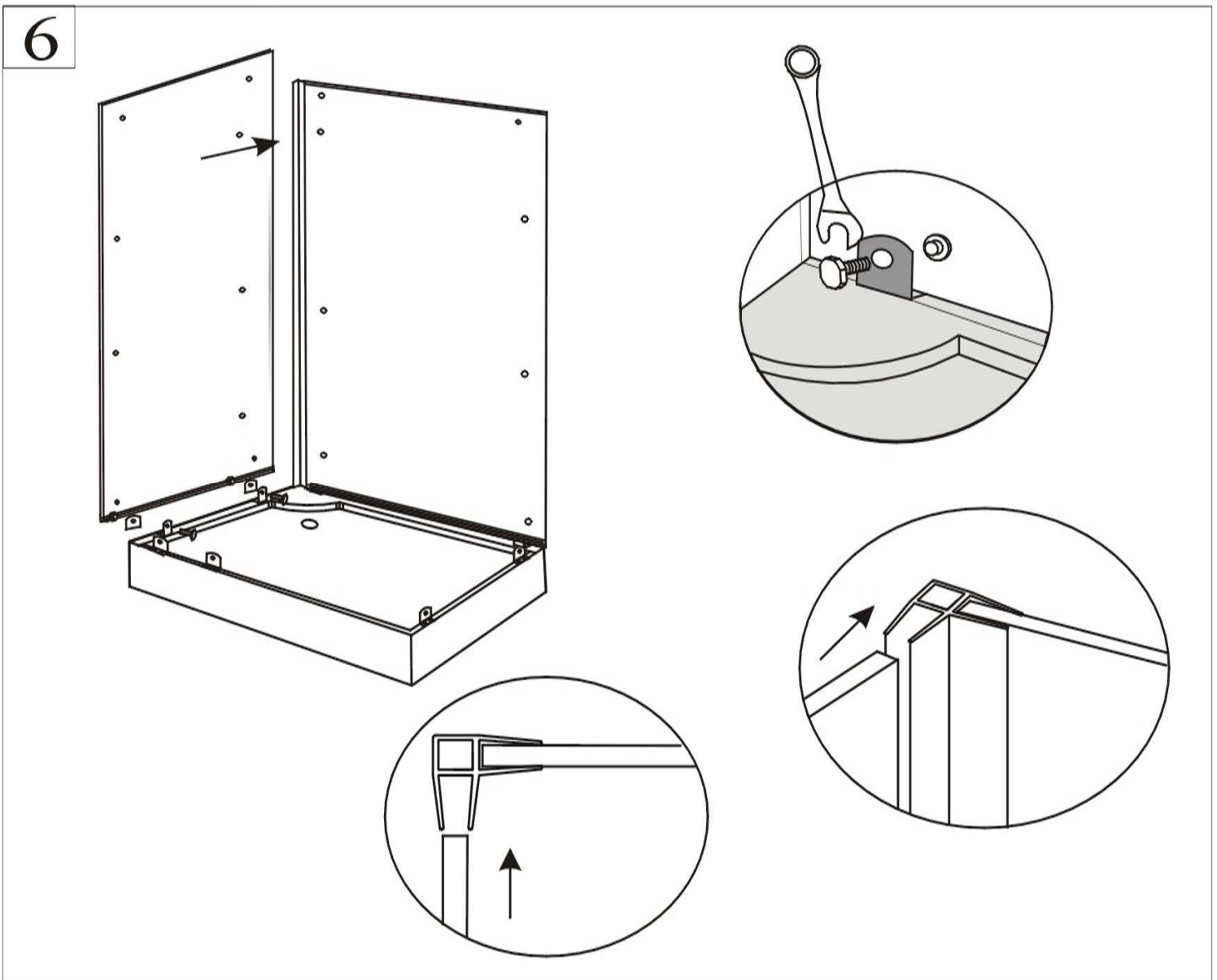
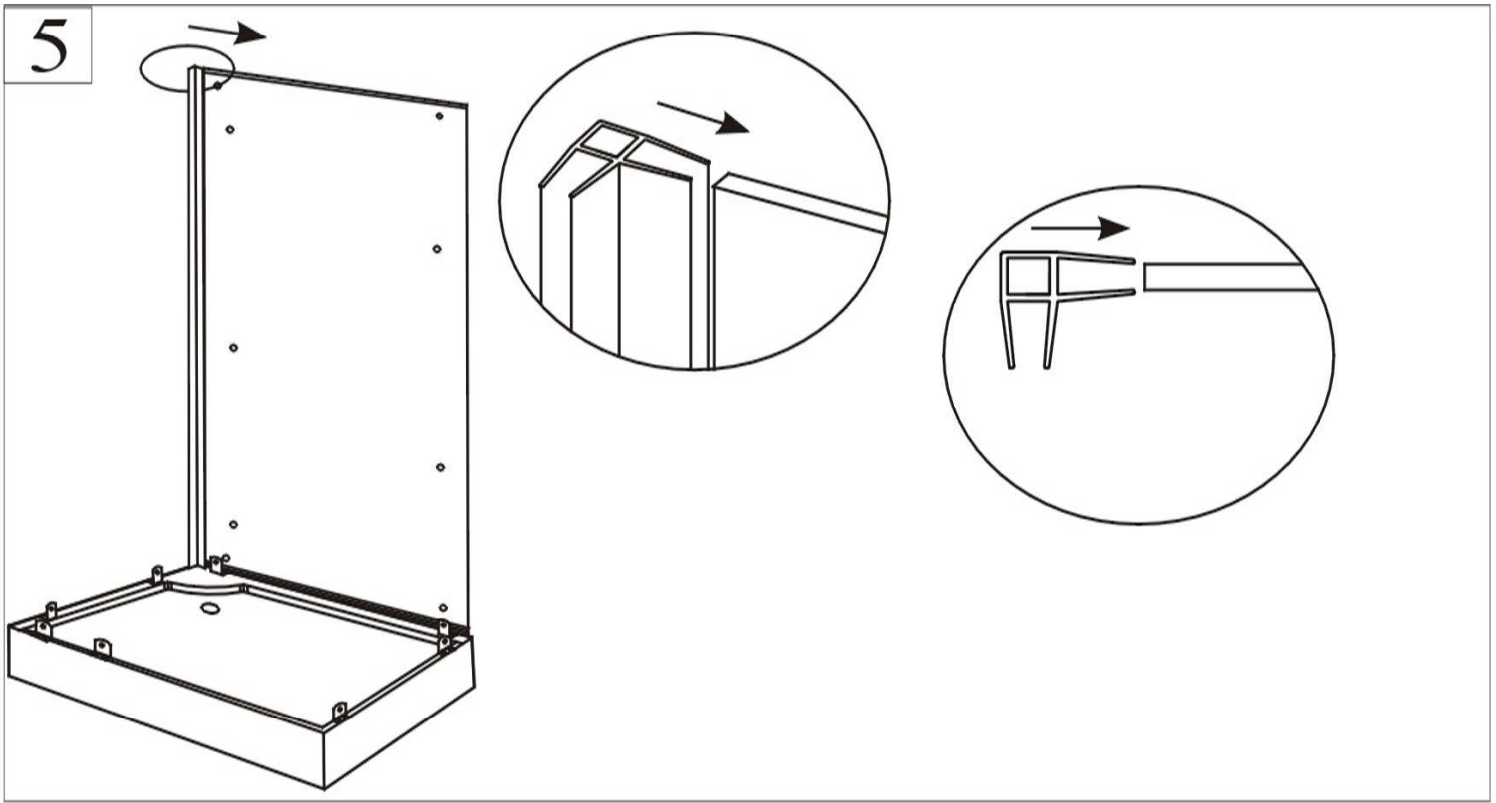


3

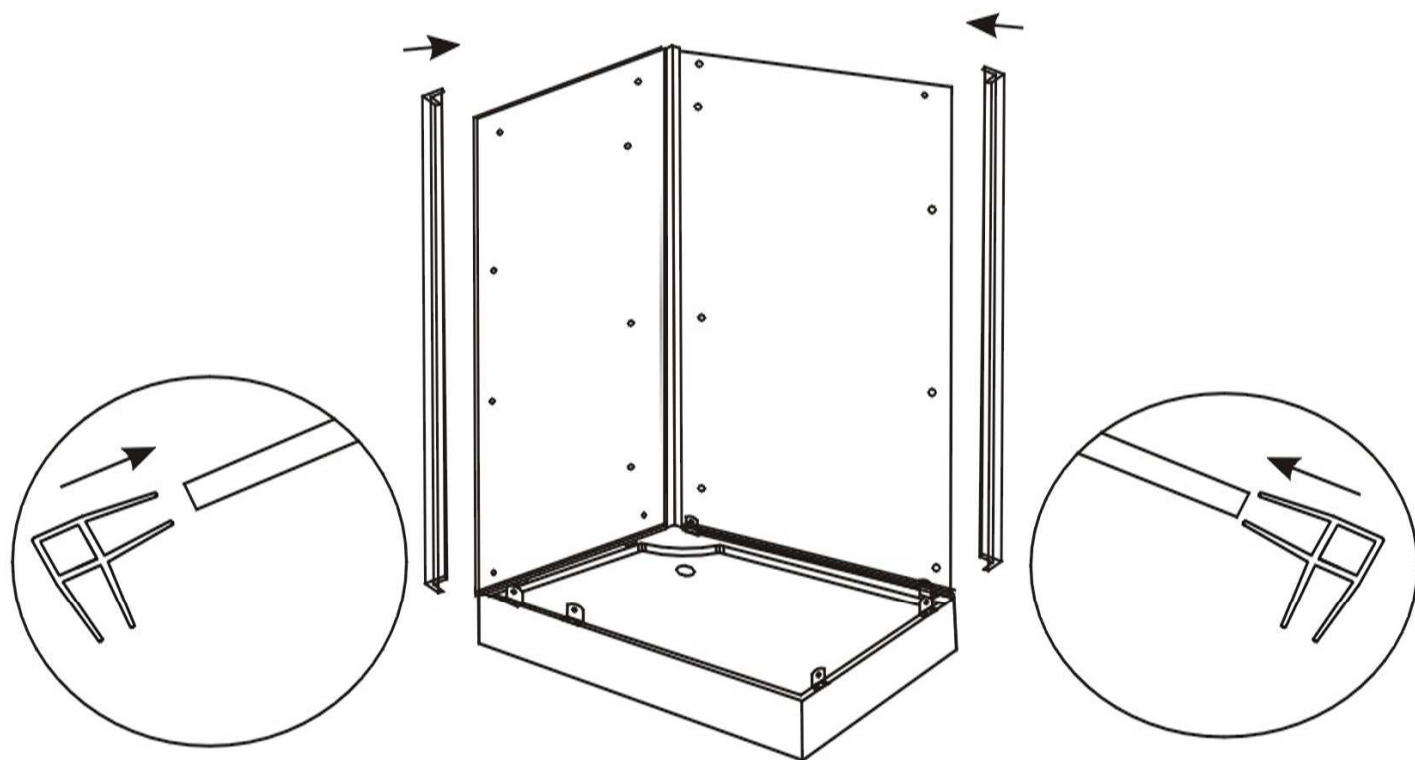


4

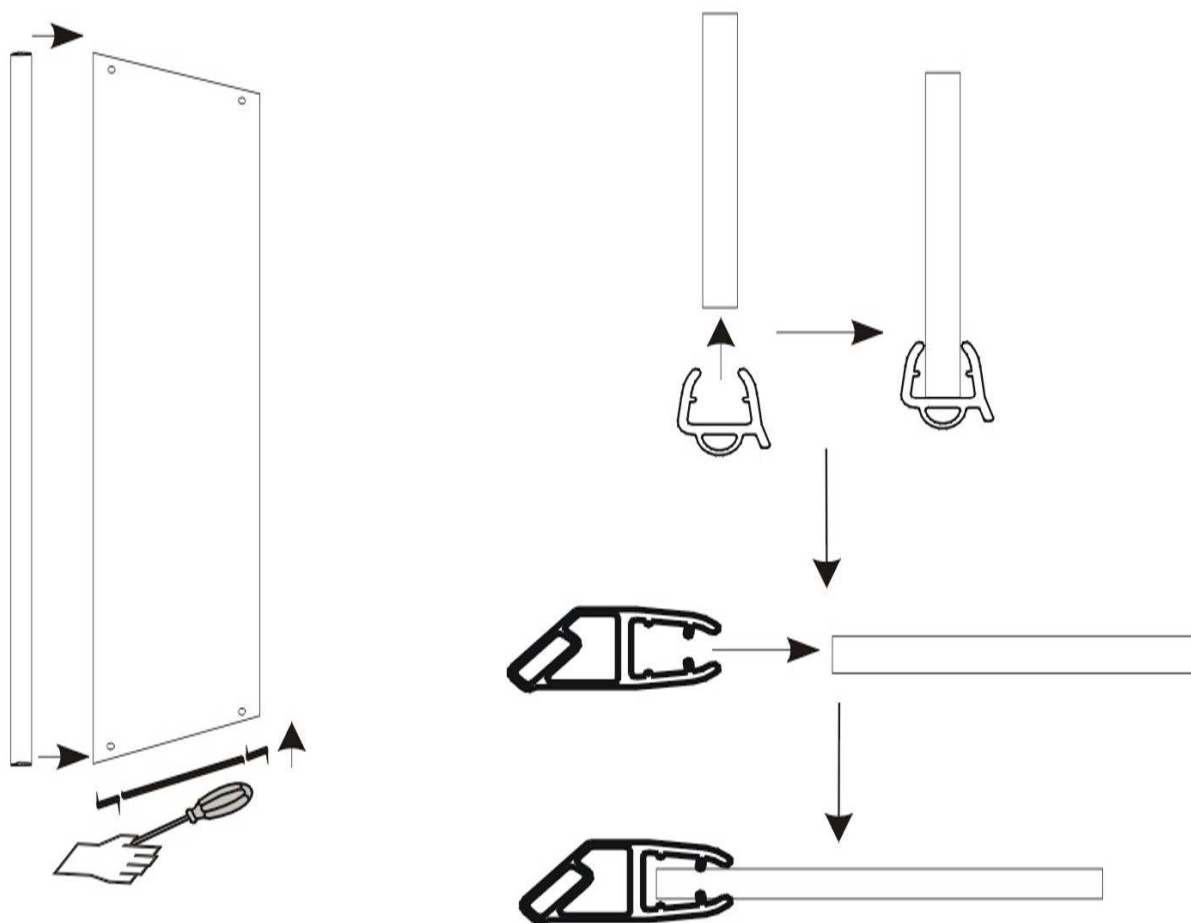




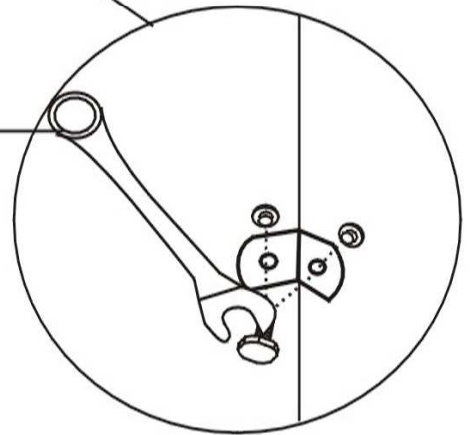
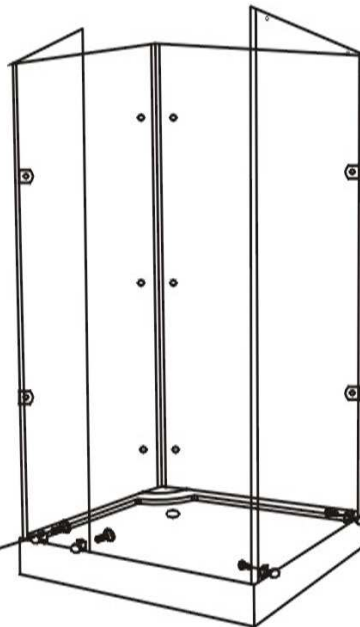
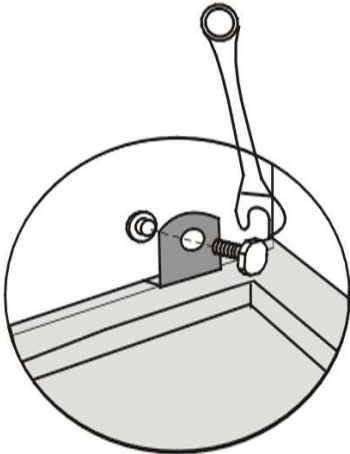
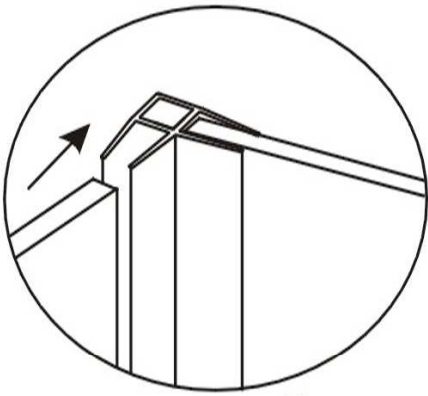
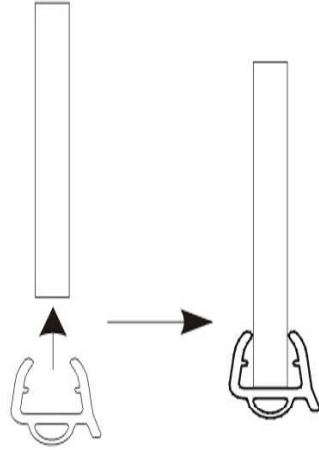
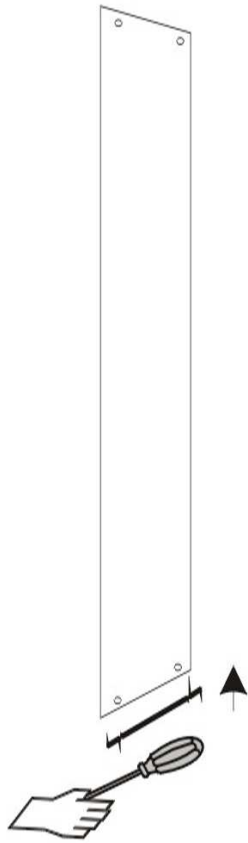
7



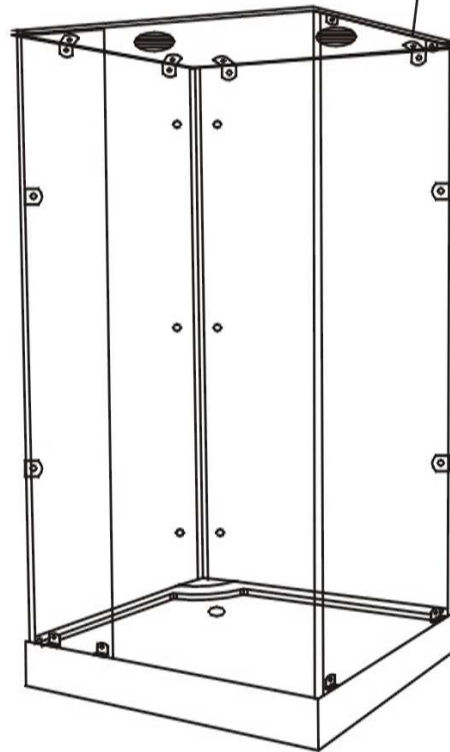
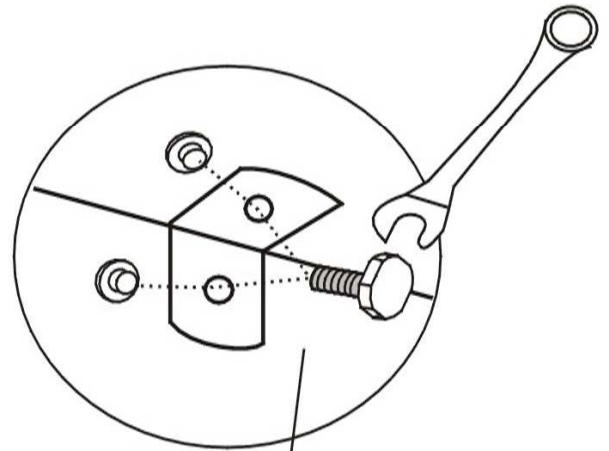
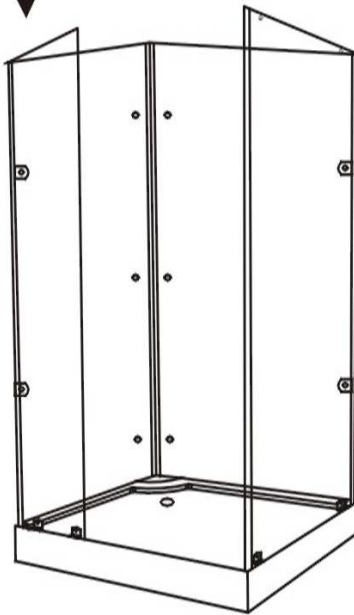
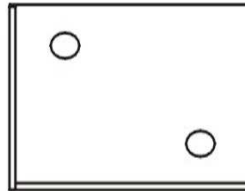
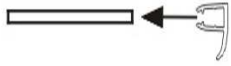
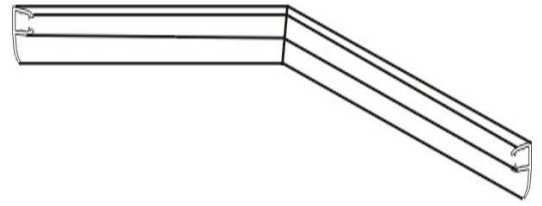
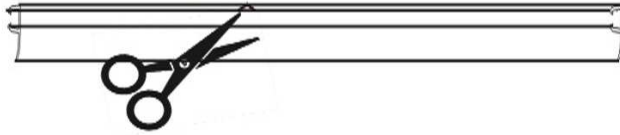
8

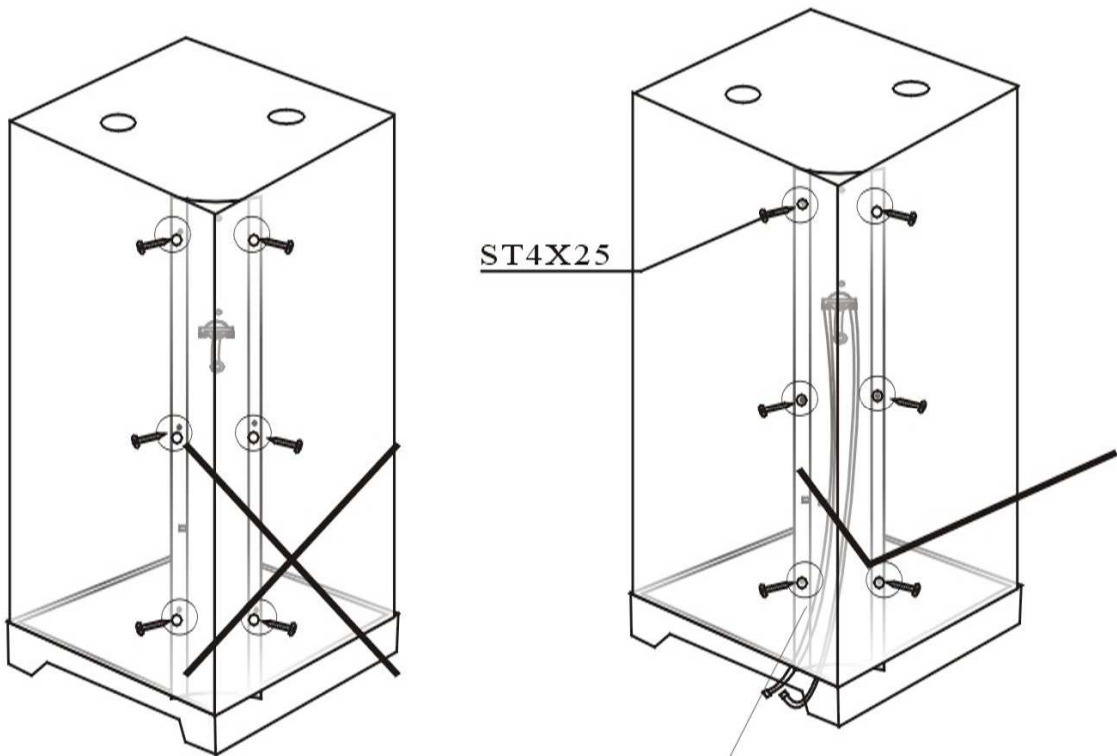
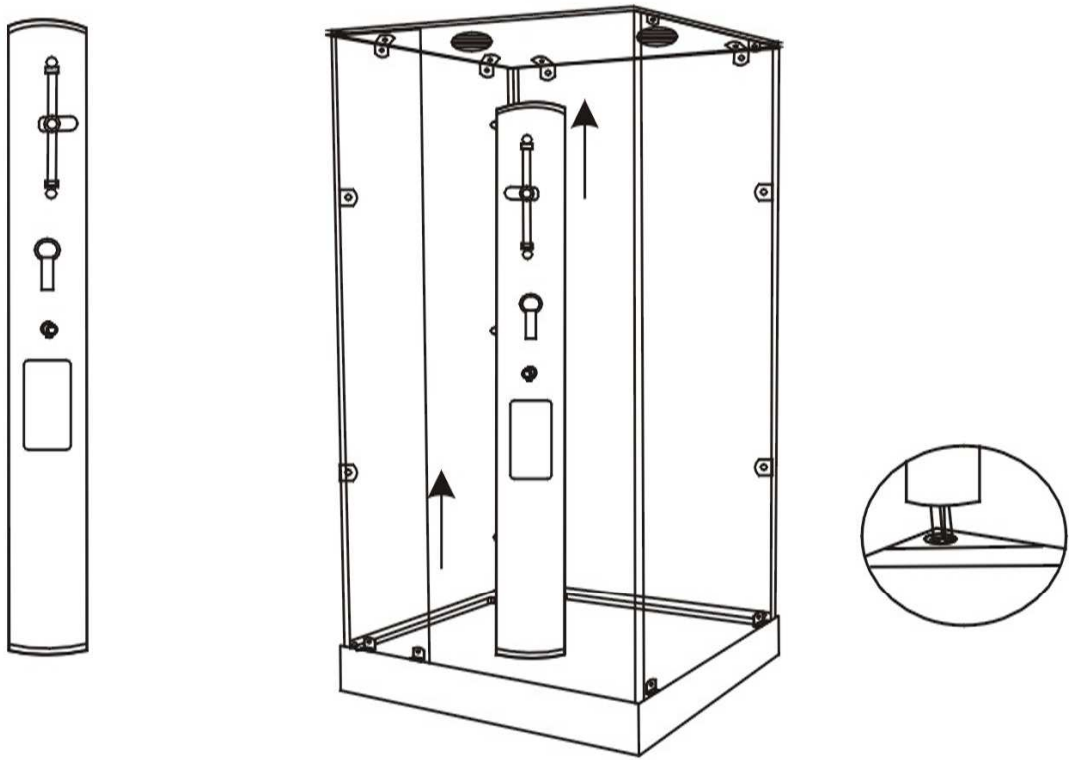


9

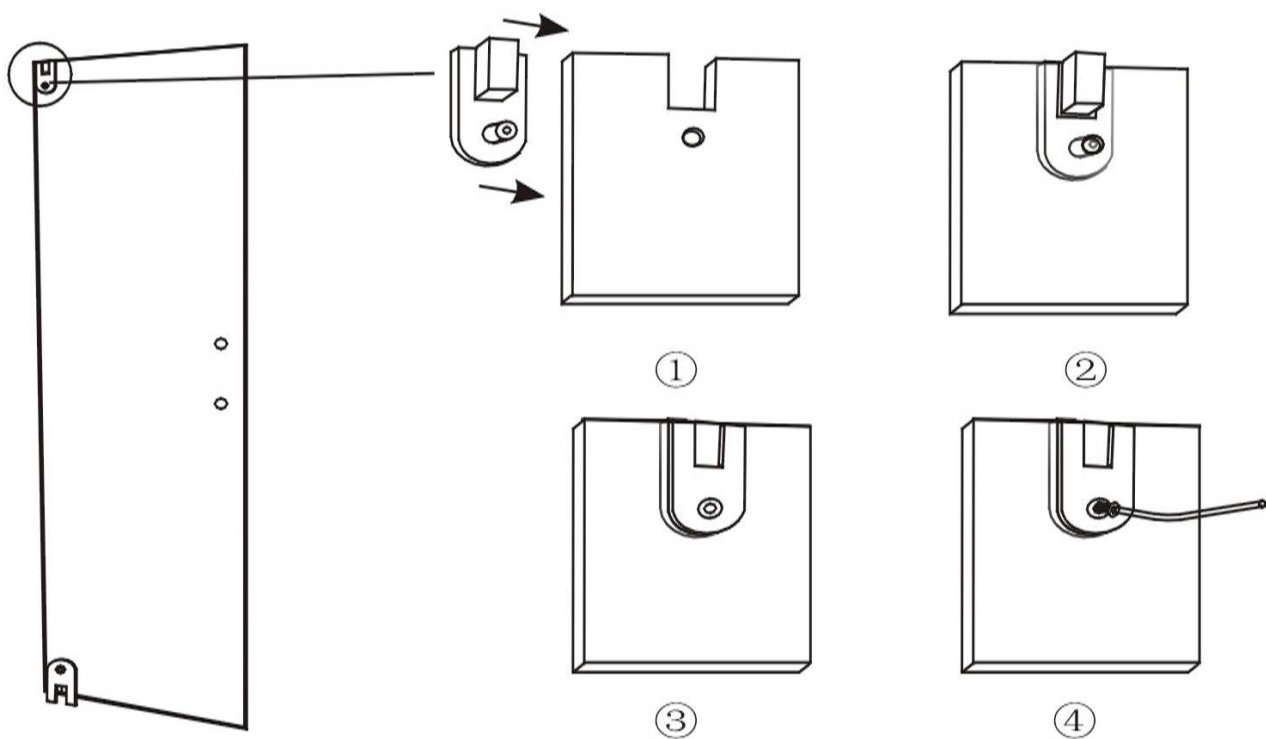
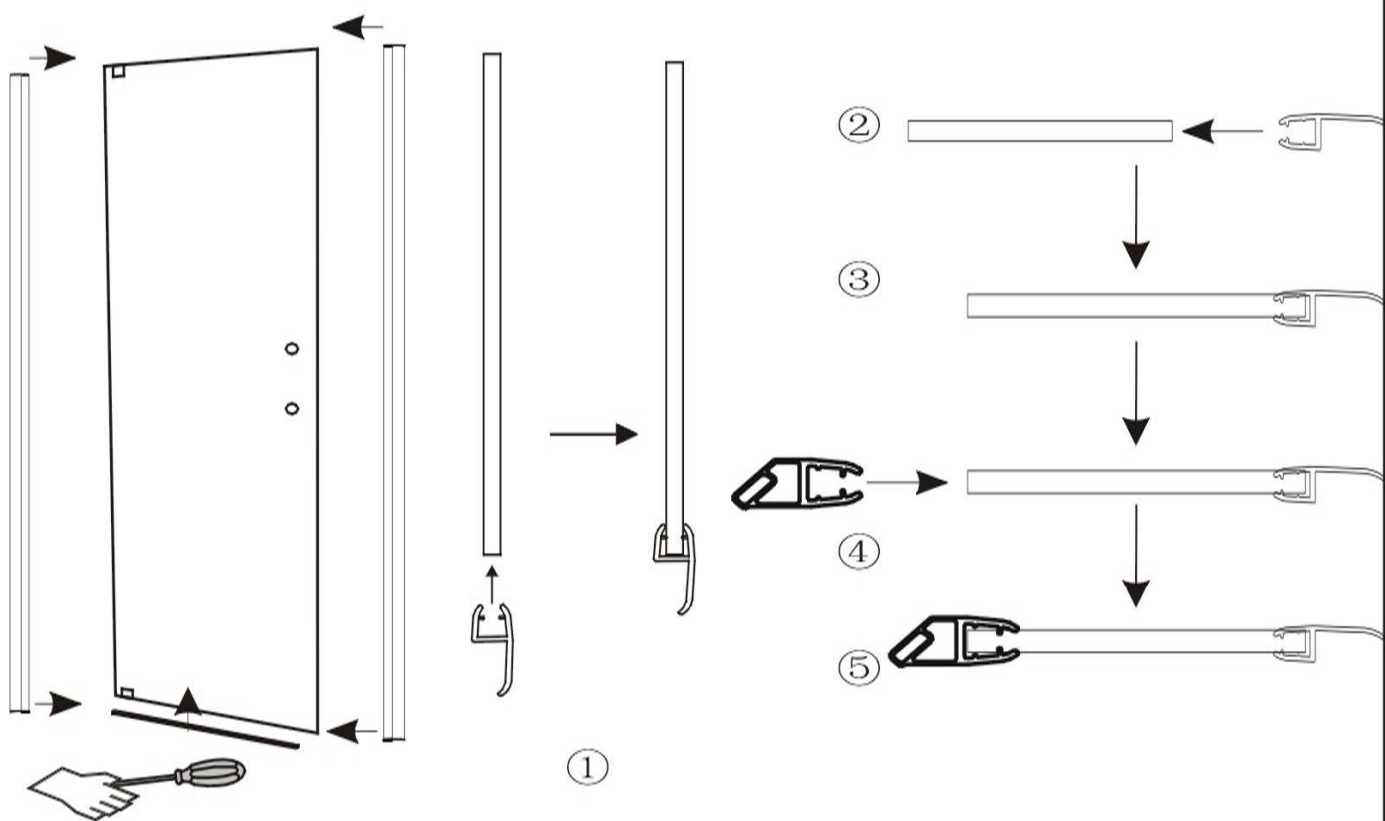


10

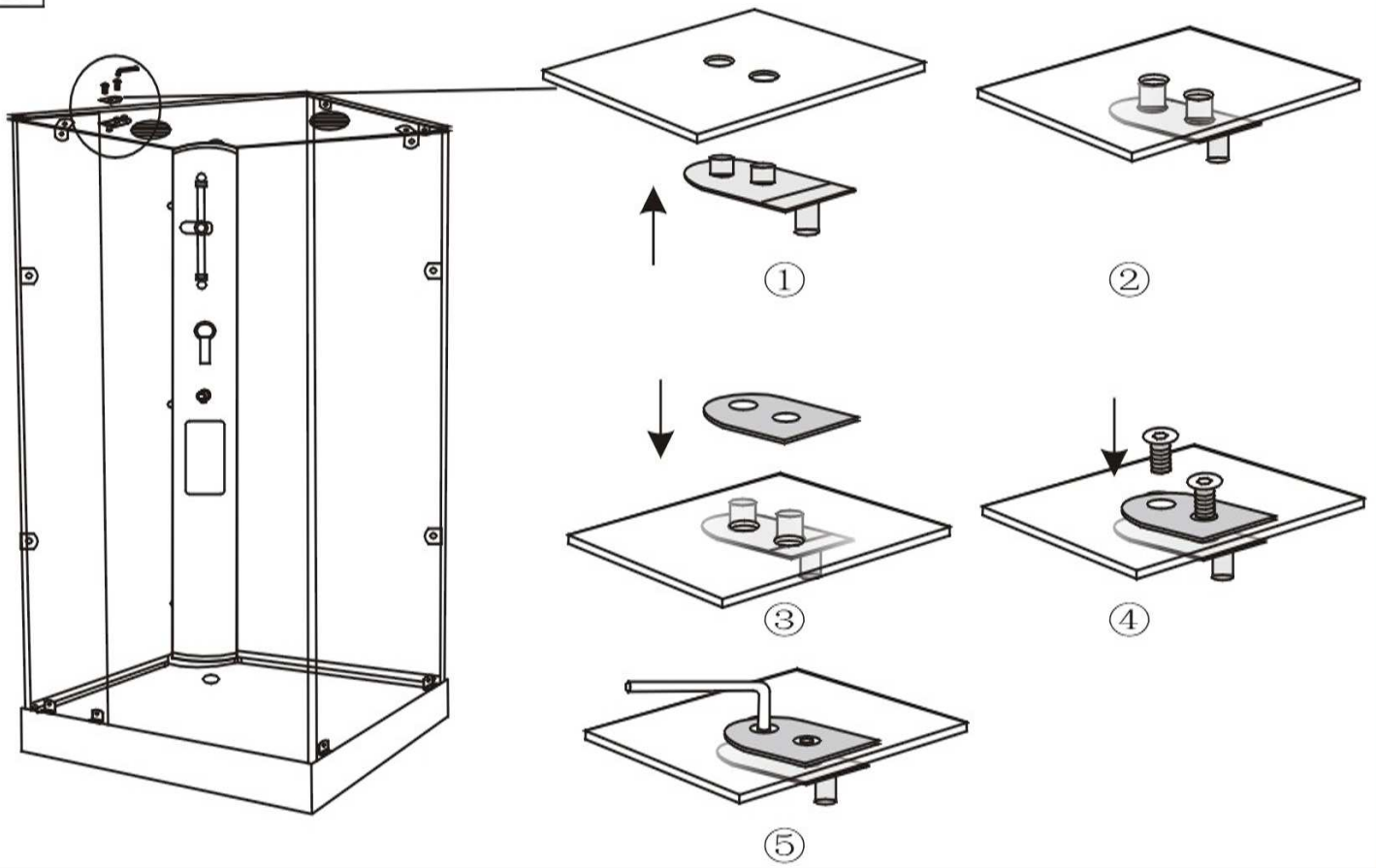




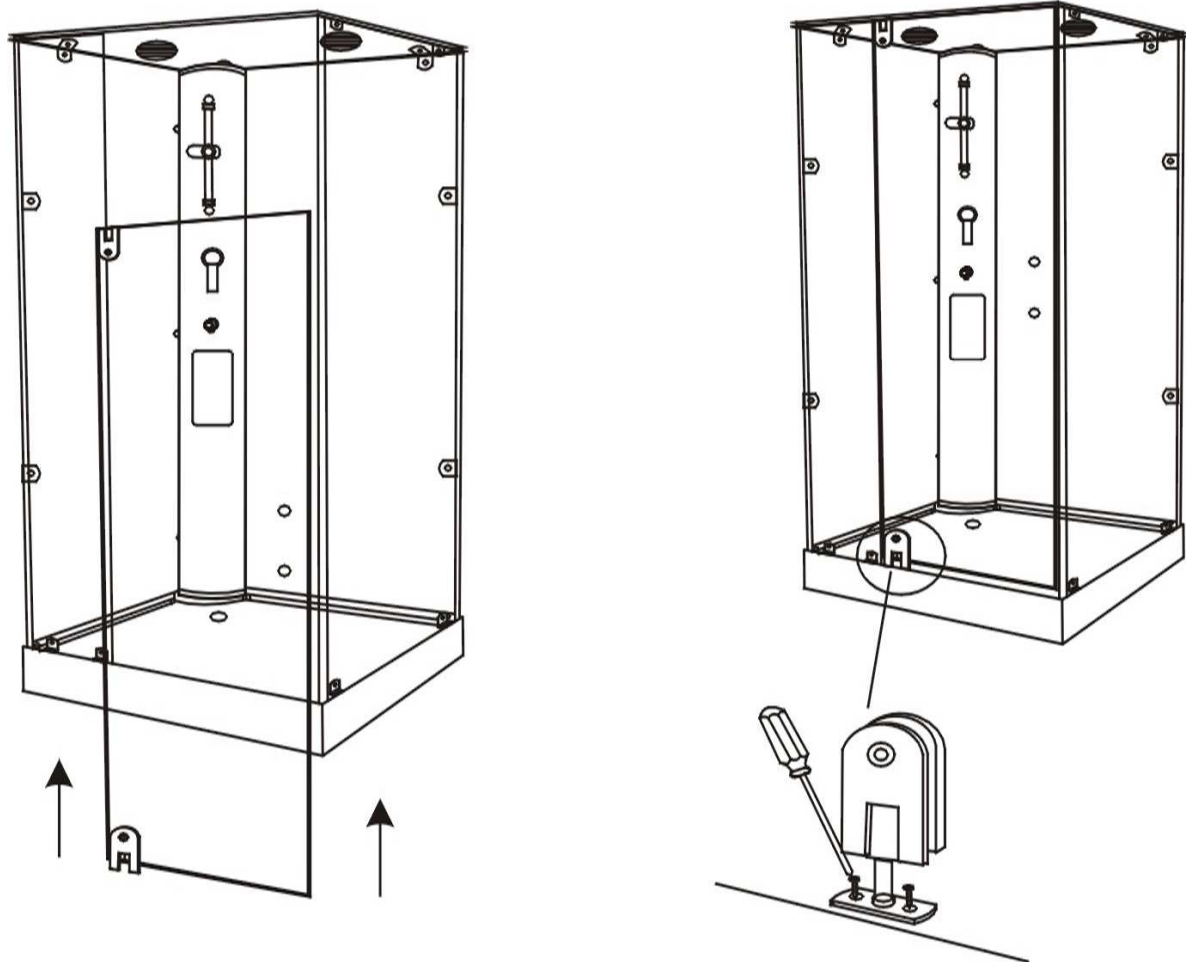
All holes should be going through correctly



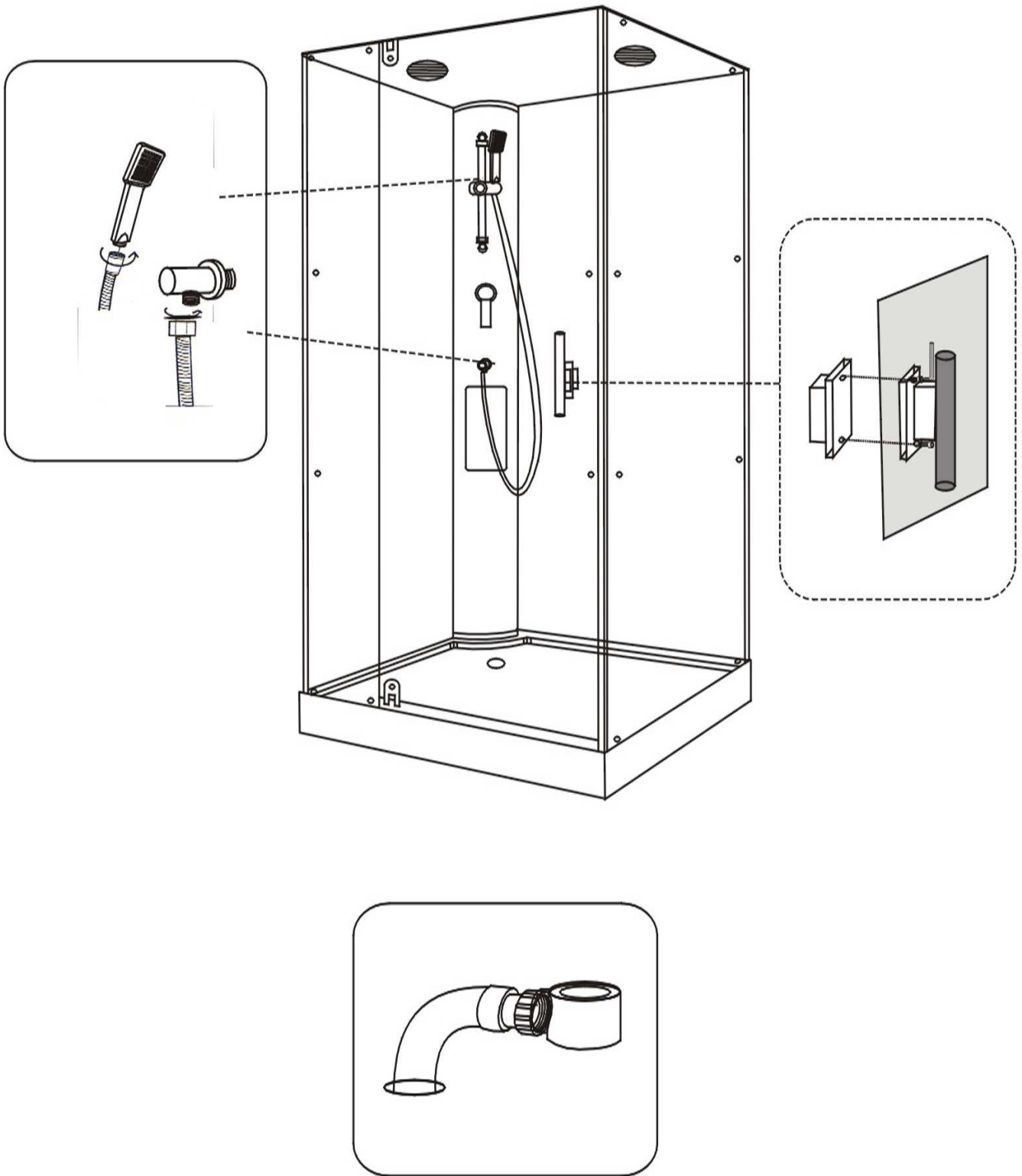
13



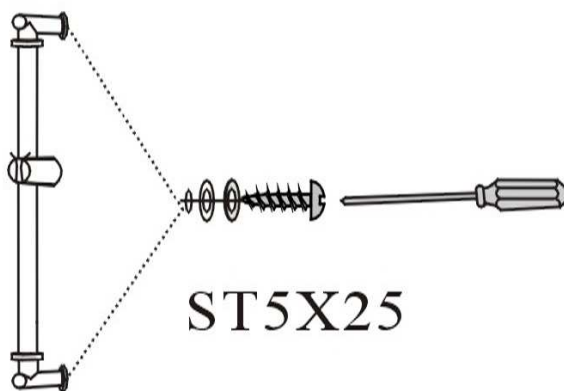
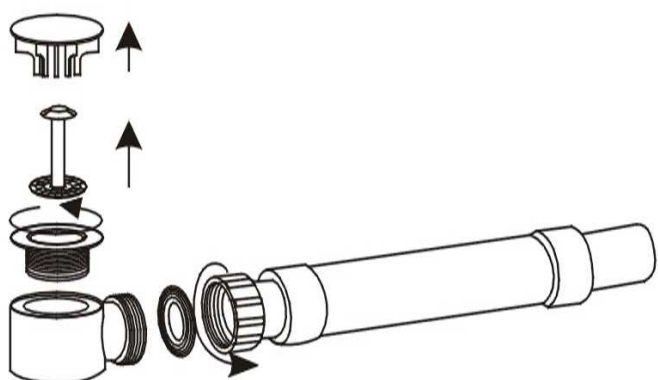
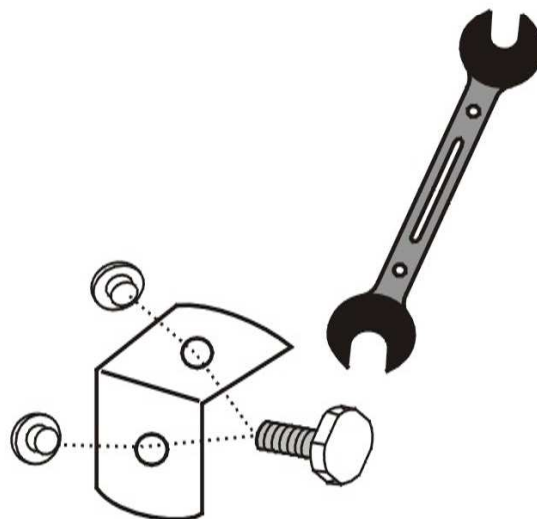
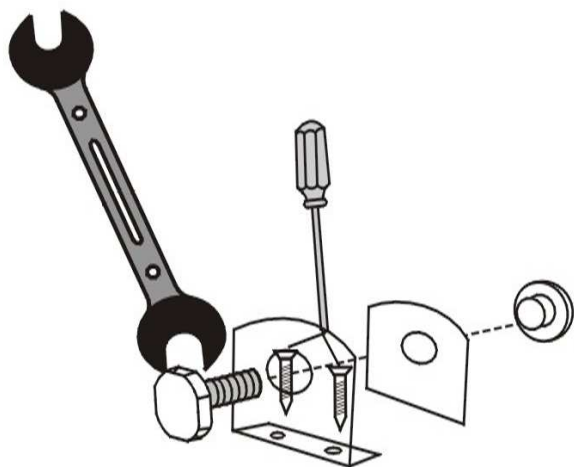
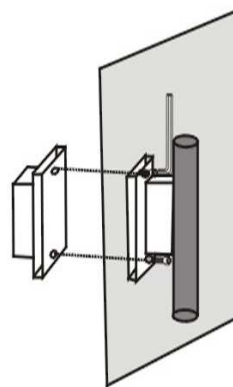
14



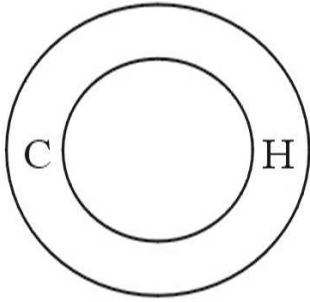
15



Parts installation



Water massage.



C
Cold water

H
Hot water

Cold/hot water changeover switch

Shower:

(1) Lift the cold/hot water adjust valve to switch on the water supply. Lift and press it properly to get the suitable flow, and turn it left and right to adjust the water temperature. You can enjoy the handle shower bath.

(2) After use, press the cold/hot water adjust valve to turn off the water supply.