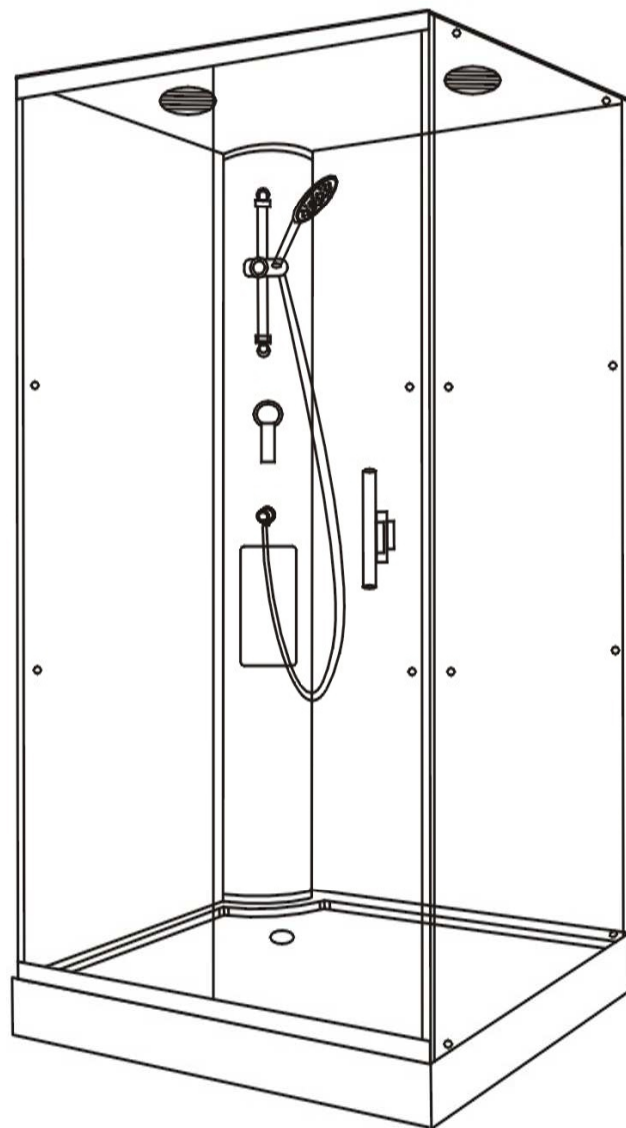
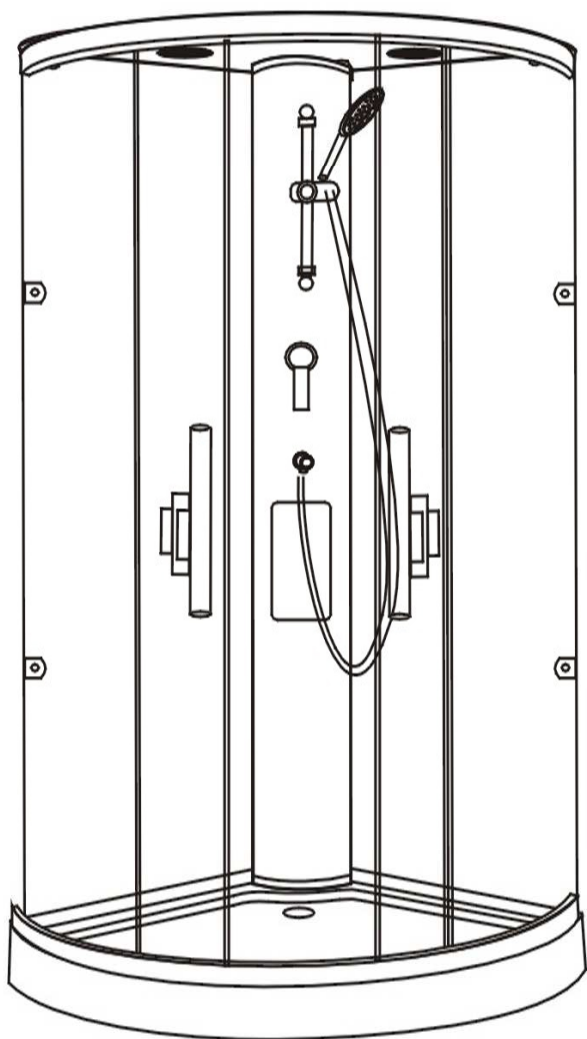


Full glass shower room

Model : TS0808, TS0909, TS1010, TS1111
TF1111, TF1109



Installation and Operation Manual

Contents	Page
Warning	1
Caution	2
Water parameters	2
Dimensions for Water Supply, Drain Hole	3
accessories	4
Overview	8
Tools	16
Install instruction	16
Parts installation	25
Water massage	26
Shower	26
Clean and maintenance	26





Dear user,

Thank you for purchasing our leisure sanitary ware. To enable you to use this product safely and effectively, please read this Installation and Operation Manual carefully before use.

Warning:

- 1. Please read this manual carefully before use.**
- 2. Take care to use this product for people after drink, people suffering from heart disease or hypertension, and the elder and pregnant women.**
- 3. Any child or person with mental disability must use this product with the company of the adult.**
- 4. To get the water, turn the tap to the middle of the hot/cold water indication first, pull on the tap, try to feel the water temperature with the fingers, and turn the tap to get the desirable temperature then avoid the sudden scald by hot water.**
- 5. If you feel uncomfortable, please shut off the power immediately.**

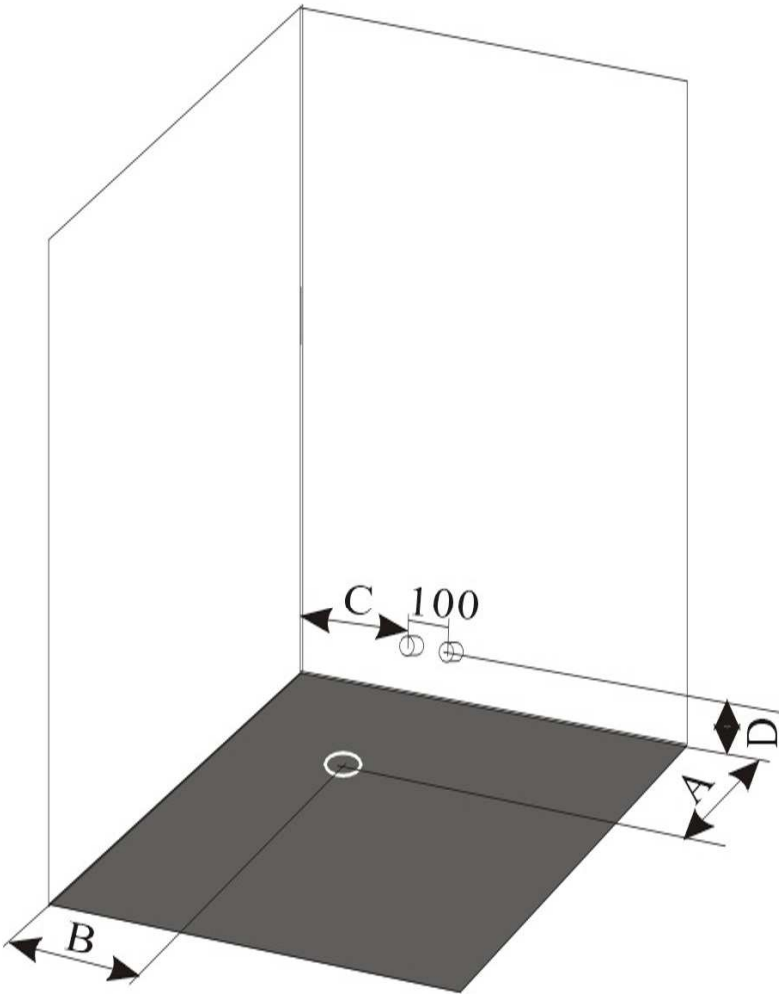
Caution:

	3 people are recommended to assemble this shower cabin.
	Goggles are recommended to protect the eyes.
	Caution: Always Handle Glass With Care! Always protect the edges and corners of the glass when assembling.
	Gloves are recommended to prevent slippery on glass.

Water parameters

Connector apertures for supply/drain pipe		water supply pressure	
Cold/hot water	Drainer	Max	Min
G1/2"	φ 40mm	0.6mPa	0.15mPa

Dimensions for Water Supply, Drain Hole



Model: TS0808	
Size: 800X800X2120	
A	220mm
B	220mm
C	300mm
D	50mm

Model: TS0909	
Size: 900X900X2120	
A	250mm
B	250mm
C	300mm
D	50mm

Model: TS1010	
Size: 1000X1000X2120	
A	240mm
B	240mm
C	300mm
D	50mm

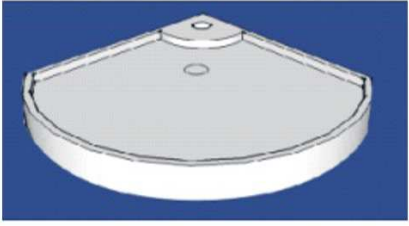
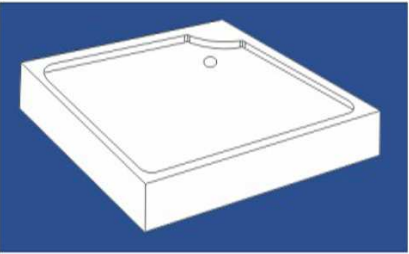




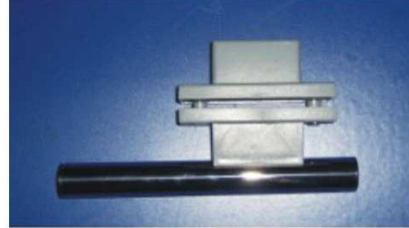
Model: TS1111	
Size: 1100X1100X2120	
A	240mm
B	240mm
C	300mm
D	50mm








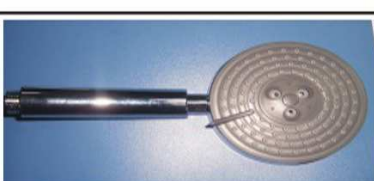
Model: TF1111	
Size: 1100X1100X2120	
A	240mm
B	240mm
C	300mm
D	50mm


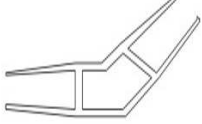

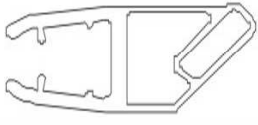

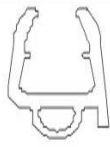
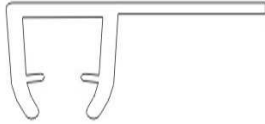





Model: TF1109	
Size: 1100X900X2120	
A	250mm
B	250mm
C	300mm
D	50mm




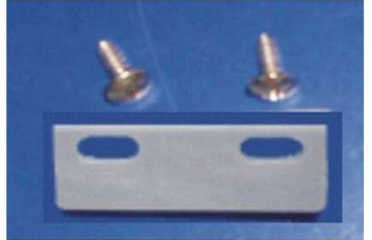


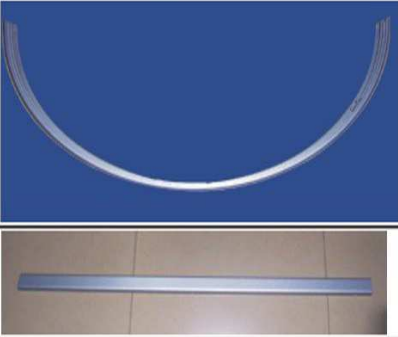
Note: (1) G1/2" connector is taken for cold/hot water supply, with the elbow 30mm out of the wall. It is recommended to provide a valve for each of the cold and hot water pipeline.

Accessories

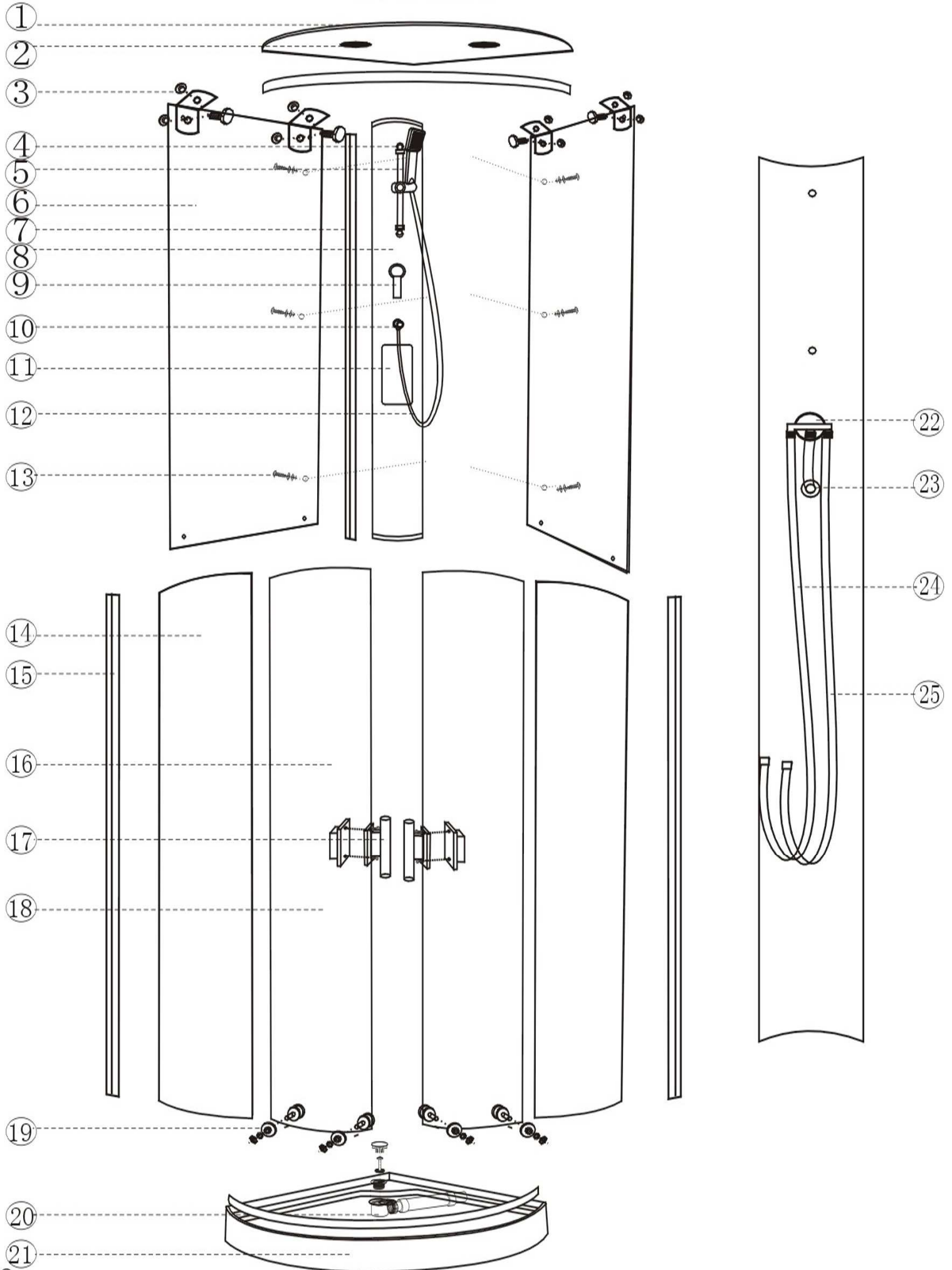
No .	accessories		Quantity	Size	Image
1	Tray	TS0808 TS0909 TS1010 TS1111	1		
		TF1109 TF1111	1		
2	Shower head joint		1		
3	(H802) Shower pipe		1	1.5m	
4	Cold and hot water pipe		2	2m	
5	(KDBA11) single-functional faucet		1		
6	tube handle	TS0808 TS0909 TS1010 TS1111	2		
		TF1109 TF1111	1		

No .	accessories	Quantity	Size	Image	
7	Loudspeaker cover	2			
8	Column fixed screw	6	ST4X25		
9	function pole upper-lower seal	2			
10	soap box	1			
11	0° glass clamp	TS0808 TS0909 TS1010 TS1111	4	Screw: ST4X16	
		TF1109 TF1111	6		
12	132° glass clamp	TS0808 TS0909 TS1010 TS1111	4		
		TF1109 TF1111	0		
13	90° glass clamp	TS0808 TS0909 TS1010 TS1111	8		
		TF1109 TF1111	4		
14	(D991) Mobilizable shower head	1			

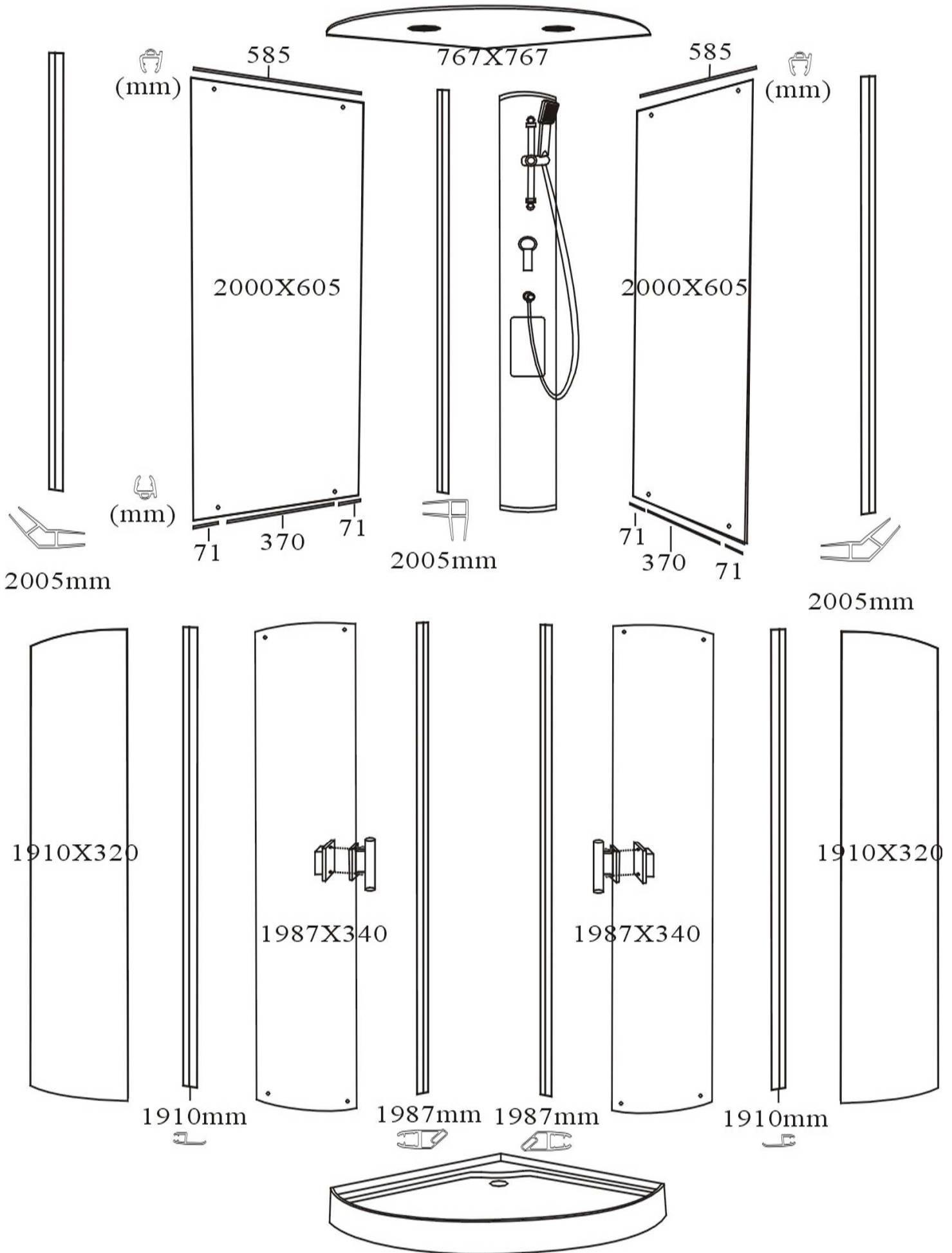
No .	accessories		Quantity	Size	Image
15	Elevating lever +holder		1	320mm	
16	137° plastic tape	TS0808 TS0909 TS1010 TS1111	2	2005mm	
		TF1109 TF1111	0		
17	90° plastic tape	TS0808 TS0909 TS1010 TS1111	1	2005mm	
		TF1109 TF1111	3		
18	magnetic tape			Please find specification in parts drawing	
19	(xy-631) function pole		1	1998mm	
20	(307BX6) upper-lower water proof tape			Please find specification in parts drawing	
21	(304GX6) by-door water proof tape	TS0808 TS0909 TS1010 TS1111	2	1910mm	
		TF1109 TF1111	1		
22	(L446) function pole	TS0808 TS0909 TS1010 TS1111	0	2005mm	
		TF1109 TF1111	1		
23	Upper bent ring seal	TS0808 TS0909 TS1010 TS1111	2		
		TF1109 TF1111	2		
24	Lower bent ring seal	TS0808 TS0909 TS1010 TS1111	2		
		TF1109 TF1111	2		

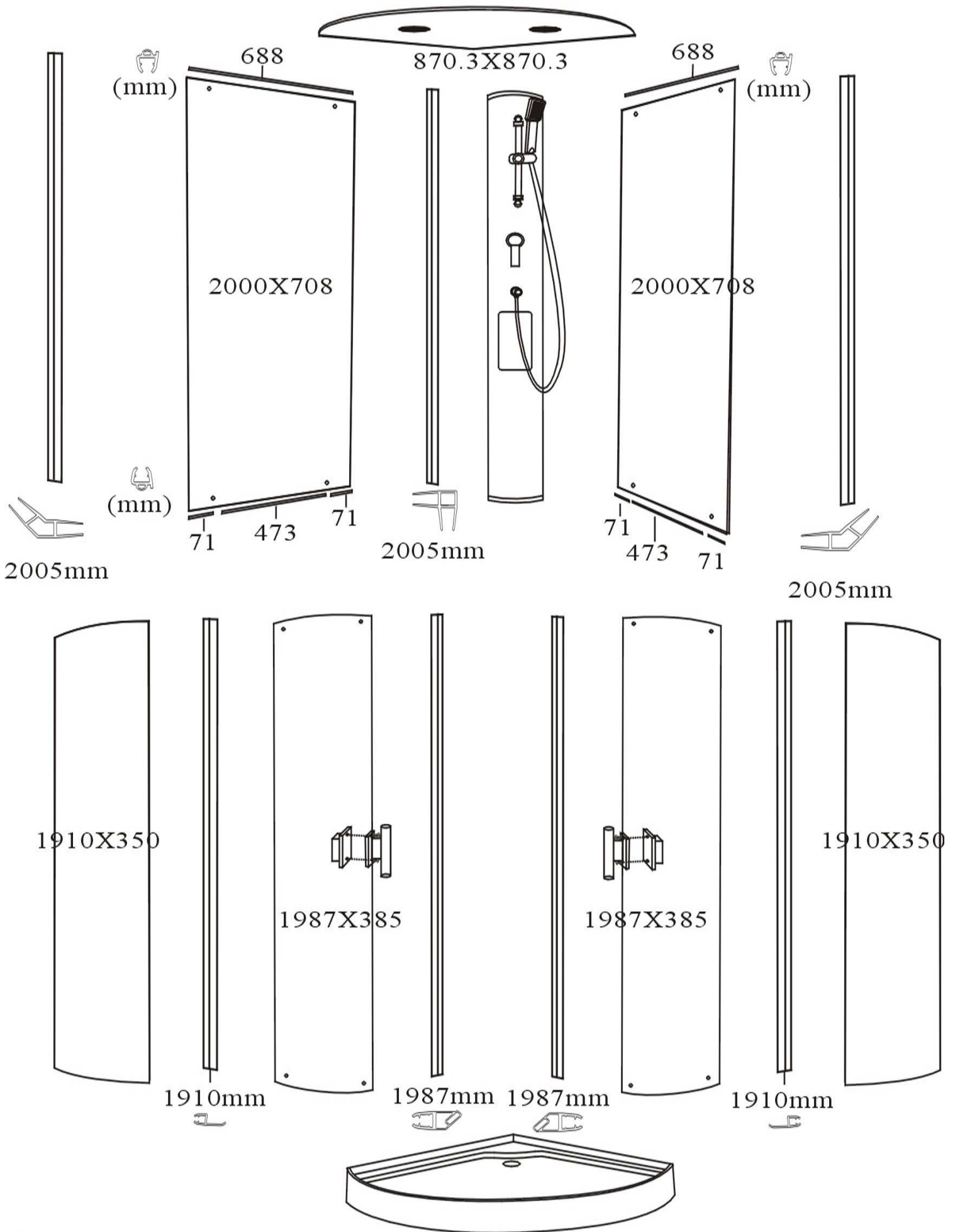
No .	accessories		Quantity	Size	Image
25	Upper sliding	TS0808 TS0909 TS1010 TS1111	4		
		TF1109 TF1111	2		
26	Lower sliding	TS0808 TS0909 TS1010 TS1111	4		
		TF1109 TF1111	2		
27	Screw	TS0808 TS0909 TS1010 TS1111	4		
		TF1109 TF1111	3		
28	Glass clamp plate	TS0808 TS0909 TS1010 TS1111	8	ST4X12	
		TF1109 TF1111	4		
29	Anti-collision cushion	TS0808 TS0909 TS1010 TS1111	8		
		TF1109 TF1111	0		
30	Screw		3	ST4X16	
31	Upper and lower bent ring	TS0808 TS0909 TS1010 TS1111	2		
		TF1109 TF1111	2		
32	Glass		7		Please find specification in parts drawing

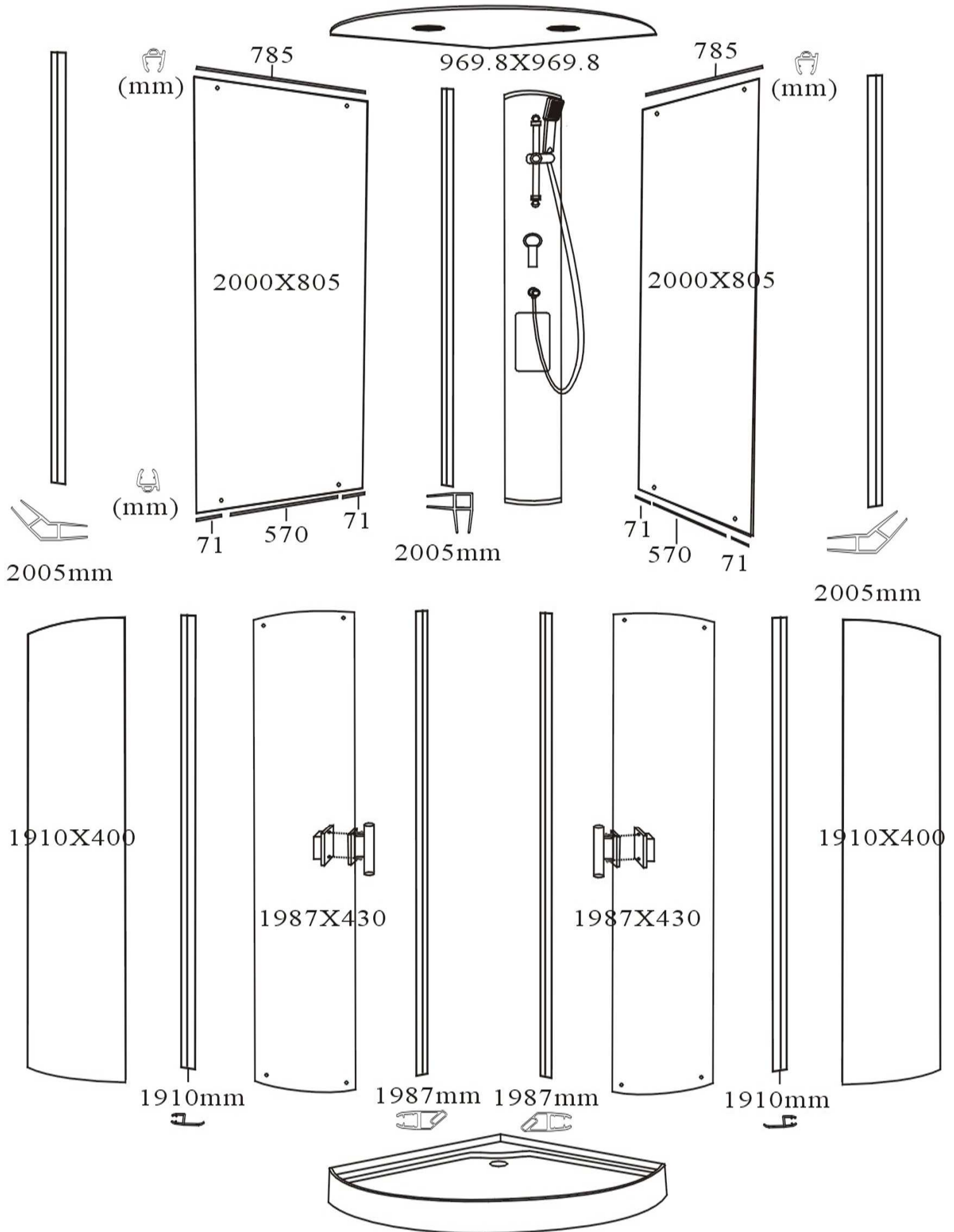
Overview

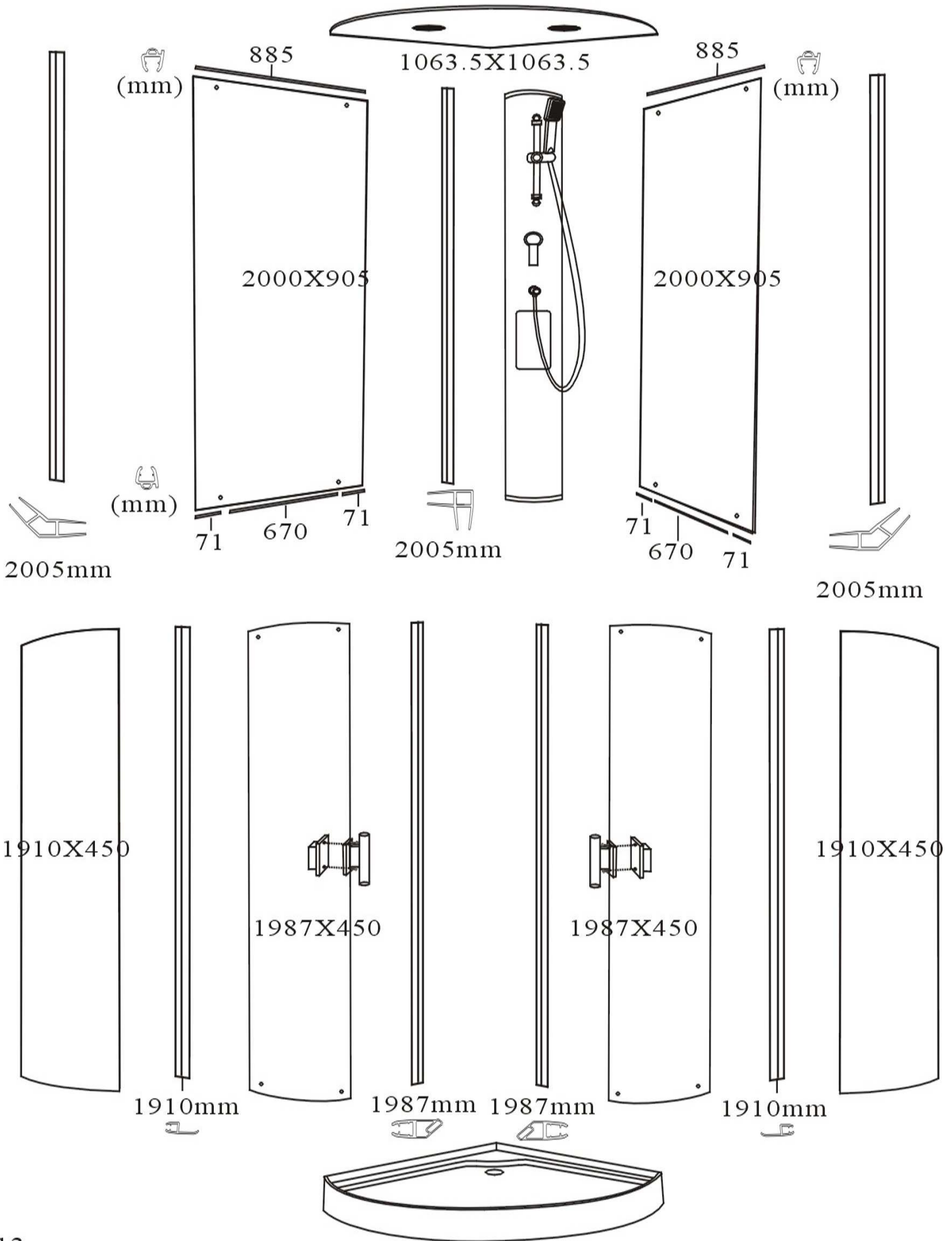


1	top cover	17	Tube handle
2	Loudspeaker cover	18	glass door
3	L Glass clamp	19	Lower slidding
4	Sliding Bar	20	Drainage set
5	Mobilizable shower head	21	tray
6	back glass	22	single-functional faucet
7	90° gasket	23	shower head joint
8	Al-alloy	24	cold water pipe
9	single-functional faucet	25	hot water pipe
10	shower head joint	26	
11	soap box	27	
12	shower pipe	28	
13	ST4X25 screw	29	
14	fixed glass	30	
15	132° gasket	31	
16	fixed glass	32	









TOOLS



Level gauge



Movable wrench



Cross-head
screw driver



Inner
Allen key

Install instruction

Total three packages are included: top glass and tray is one, surrounding glass is another, The last is the function pole and other accessories. Handle with care when process the assembling. put some soft stuffing on the ground, then put glass and accessies on it.



Tray package

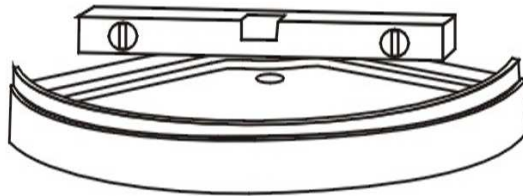


body package

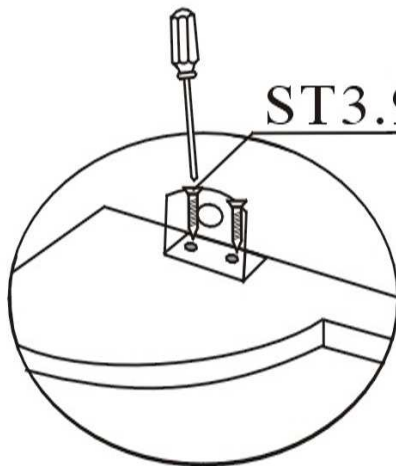


column package

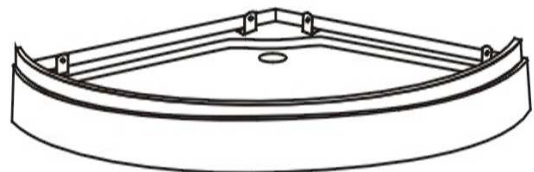
1



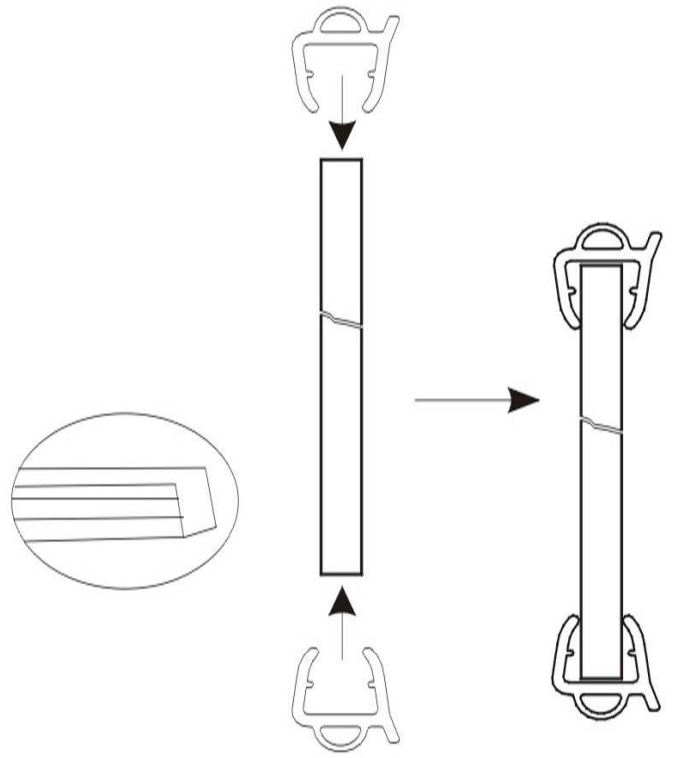
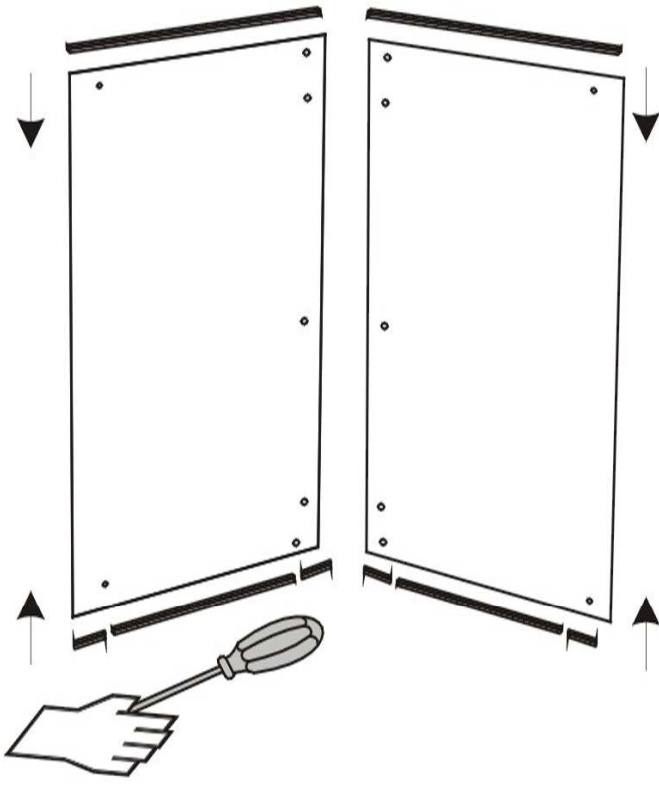
2



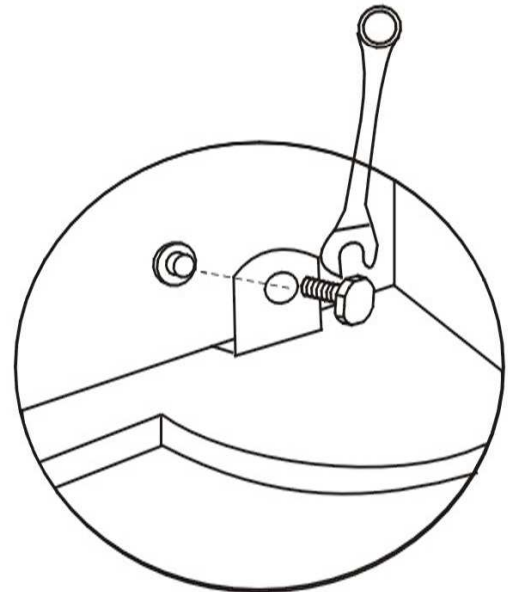
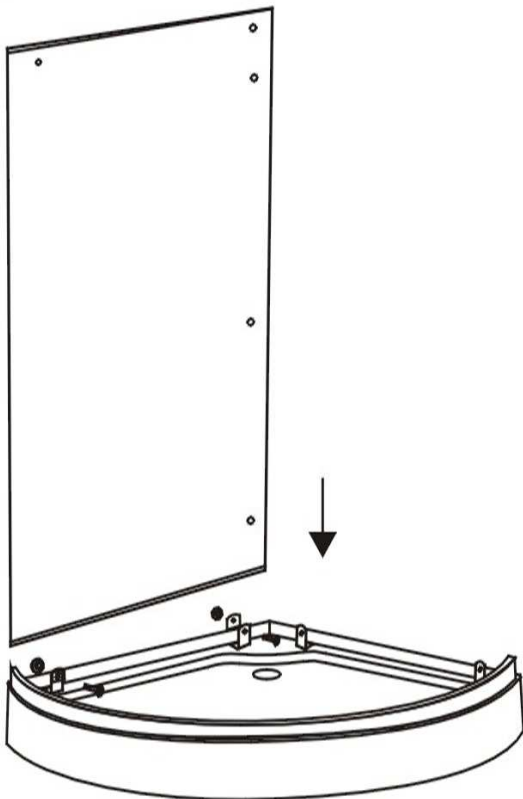
ST3.9X16

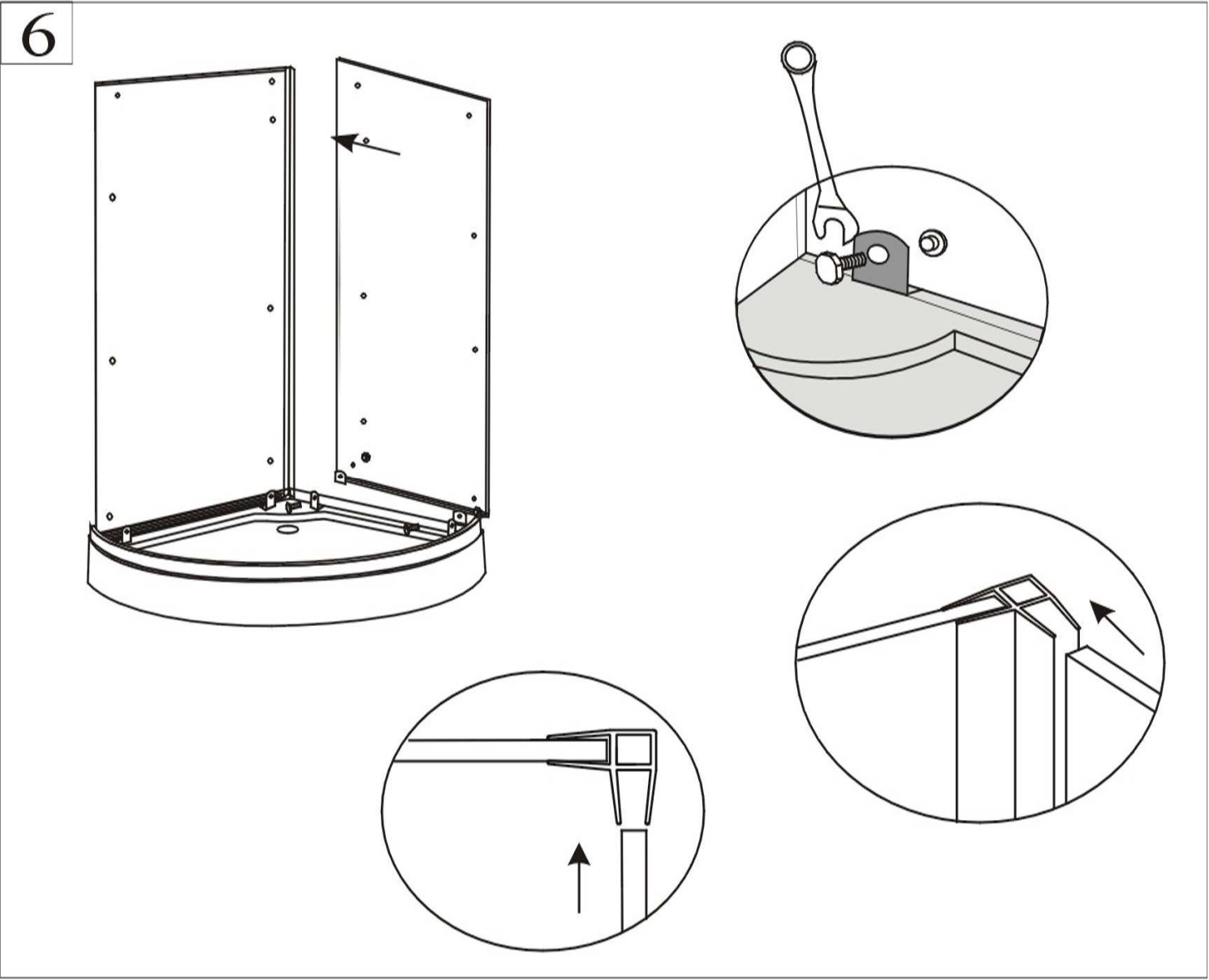
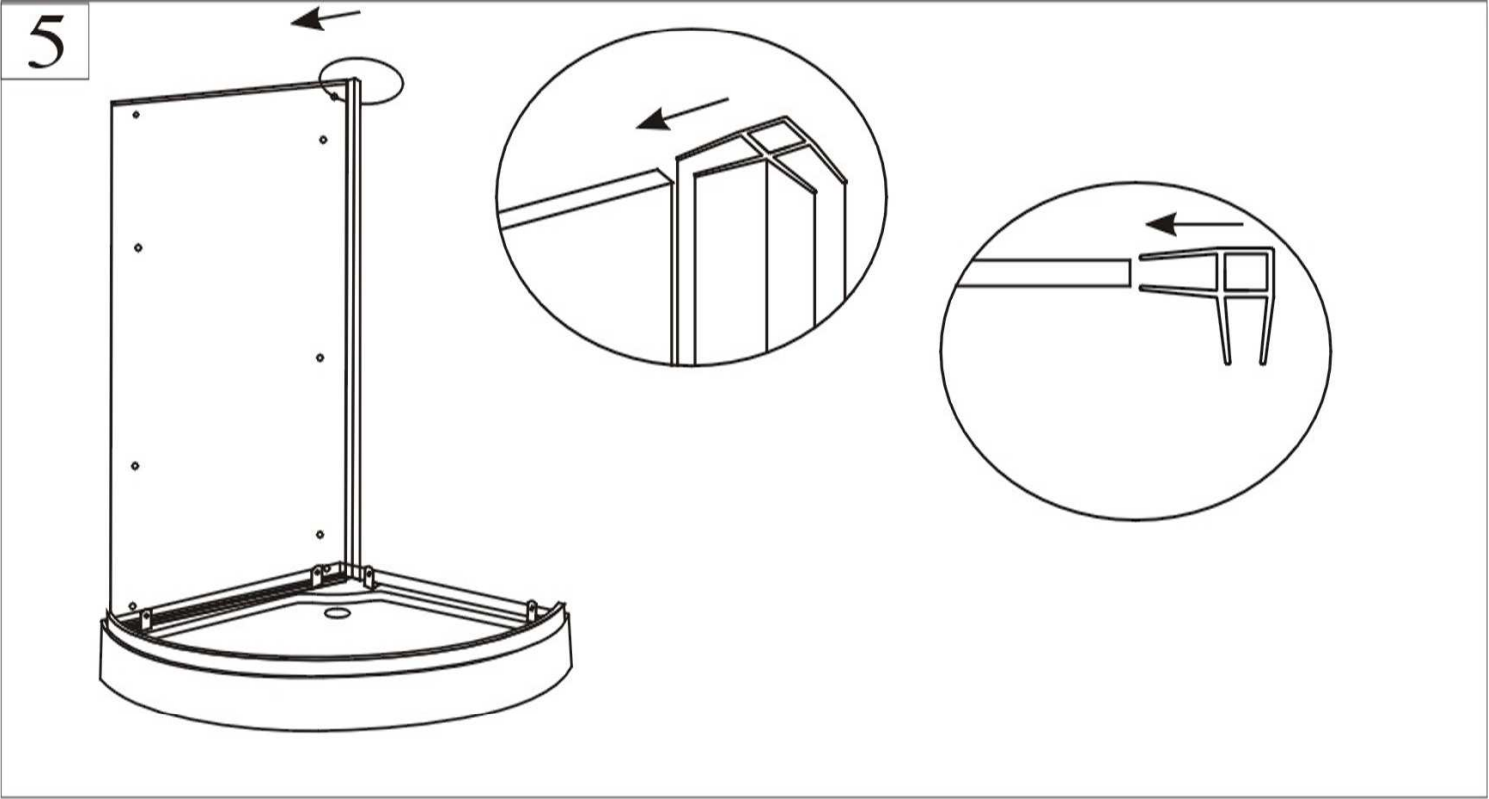


3

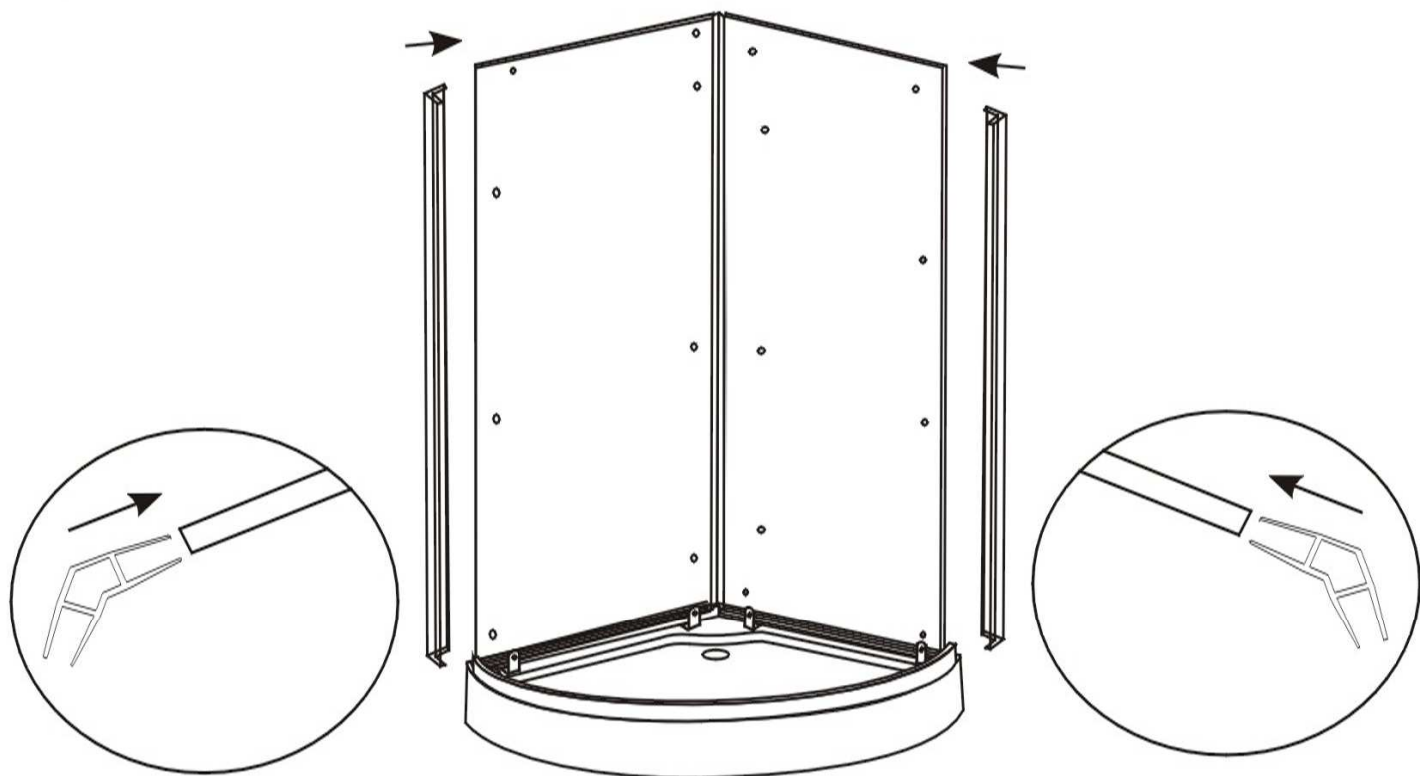


4

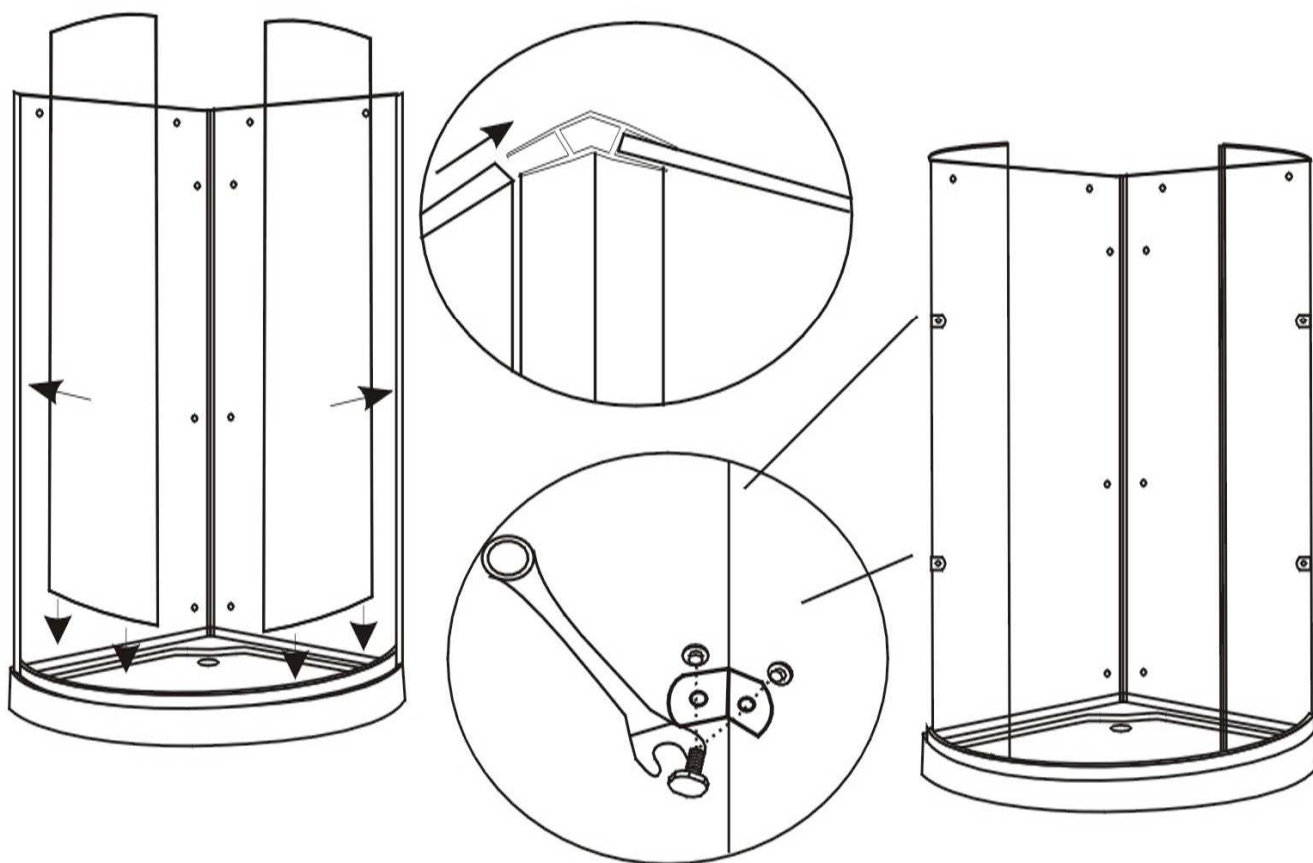




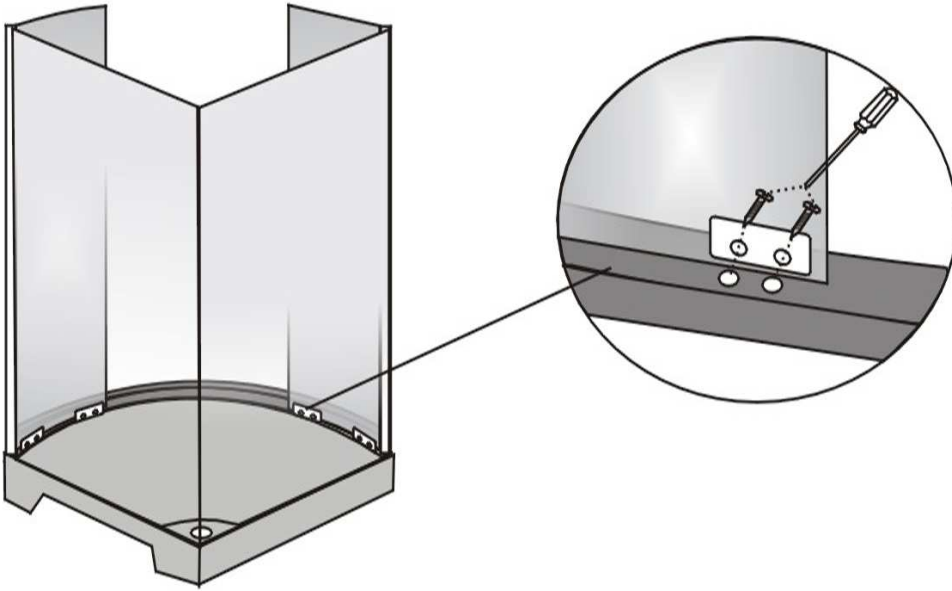
7



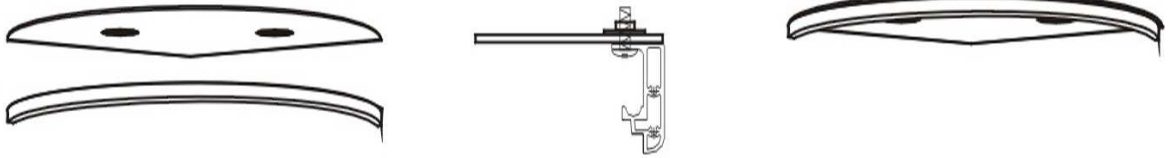
8

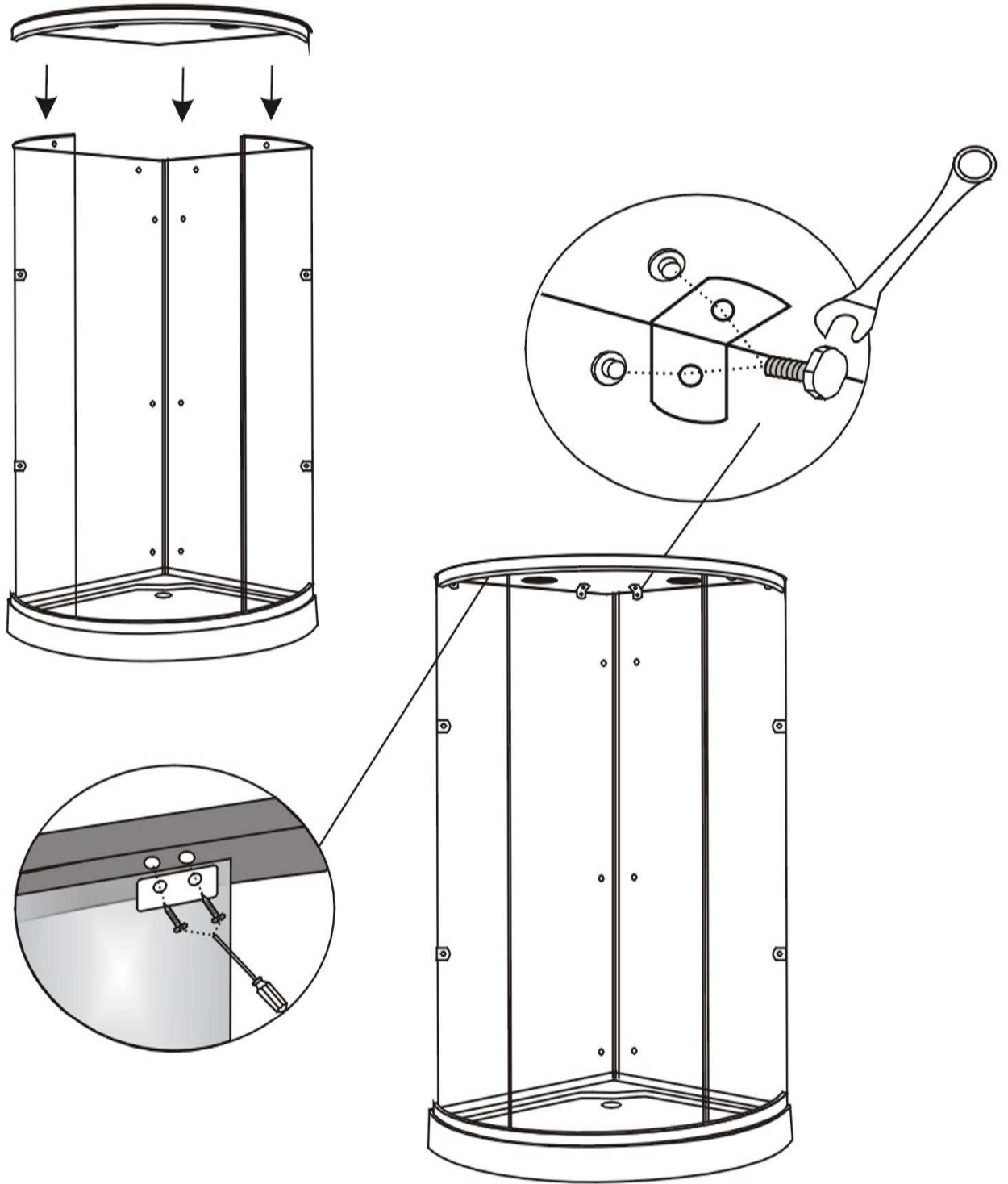


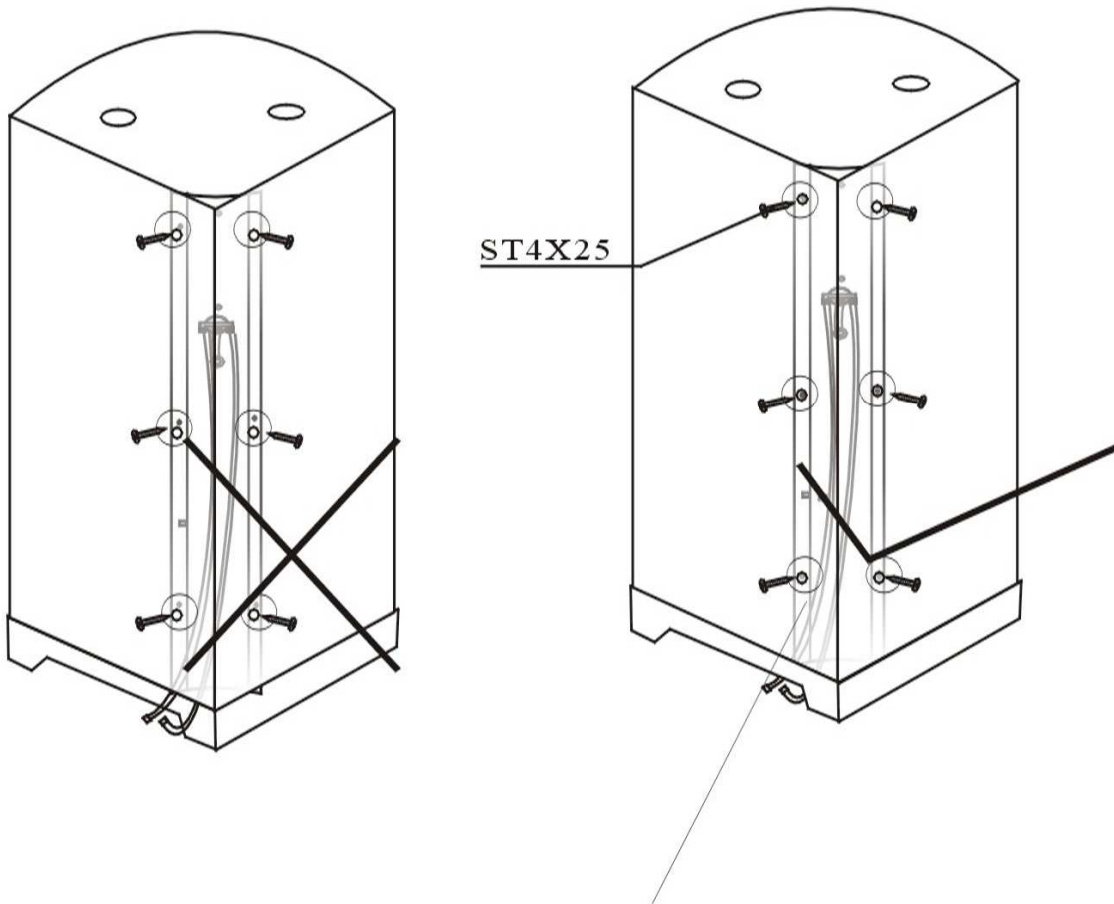
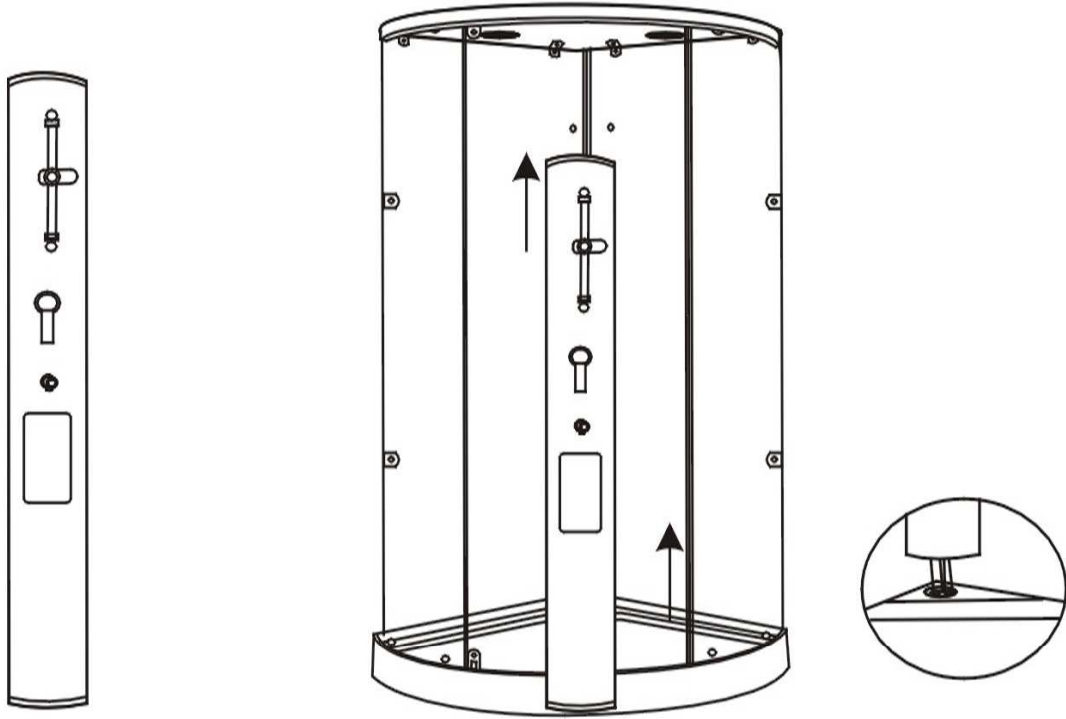
9



10

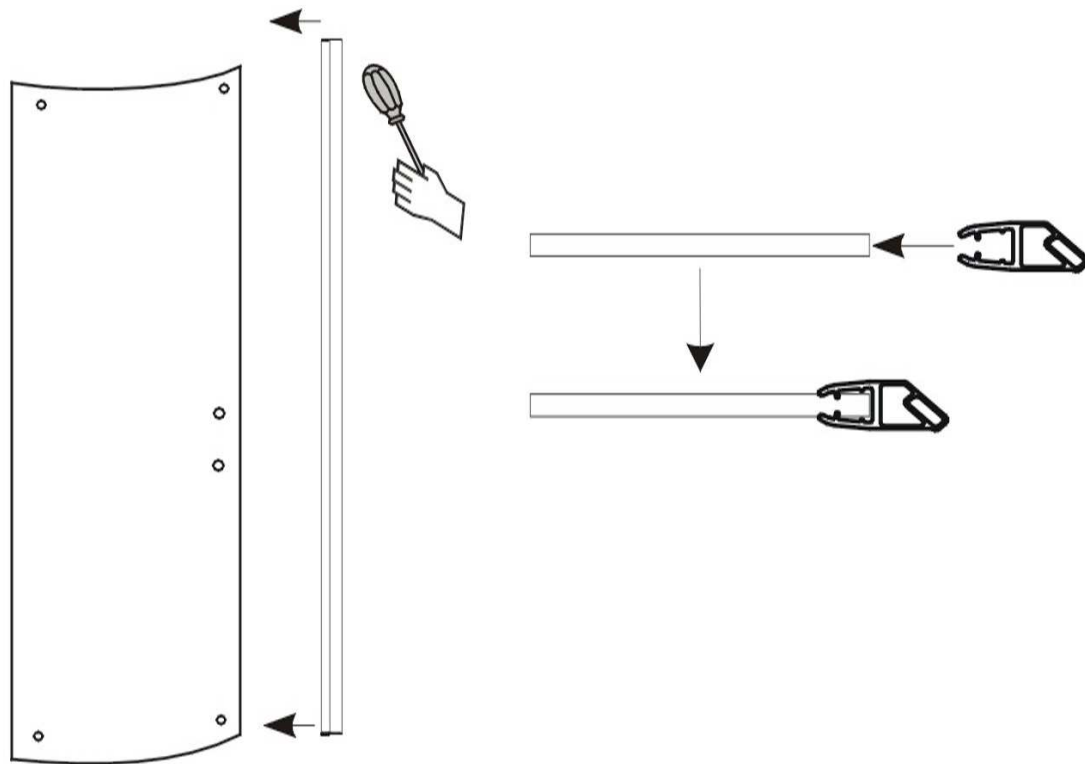




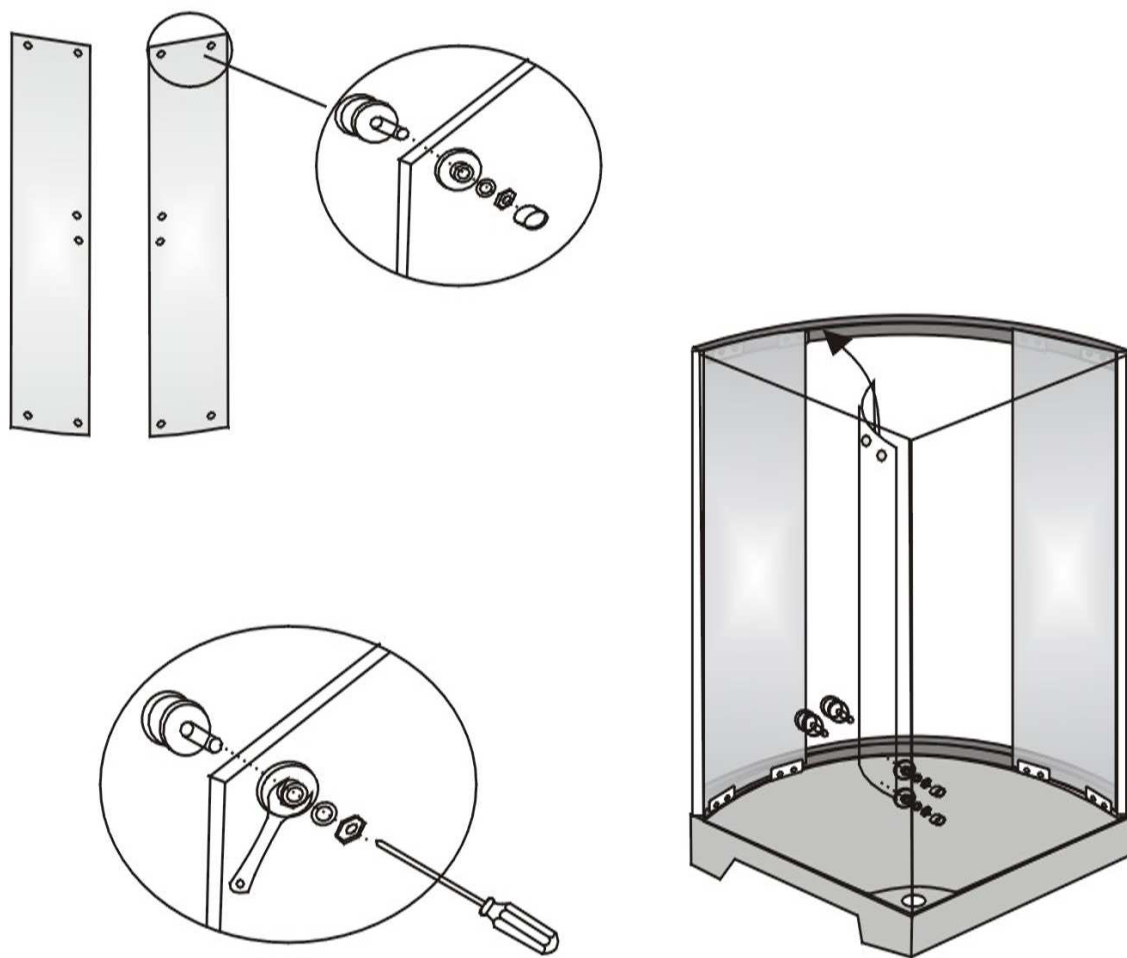


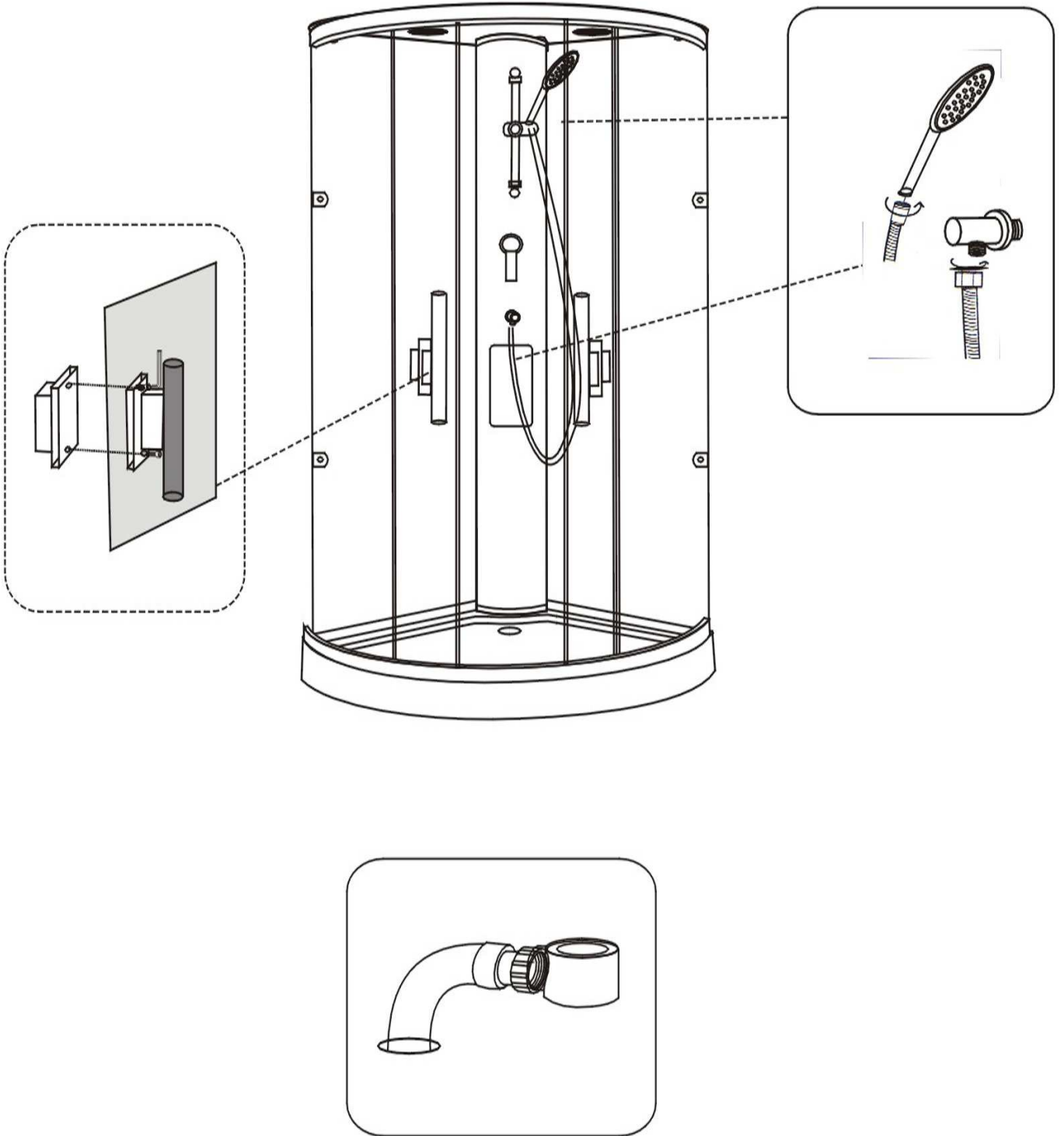
All holes should be going through correctly

13

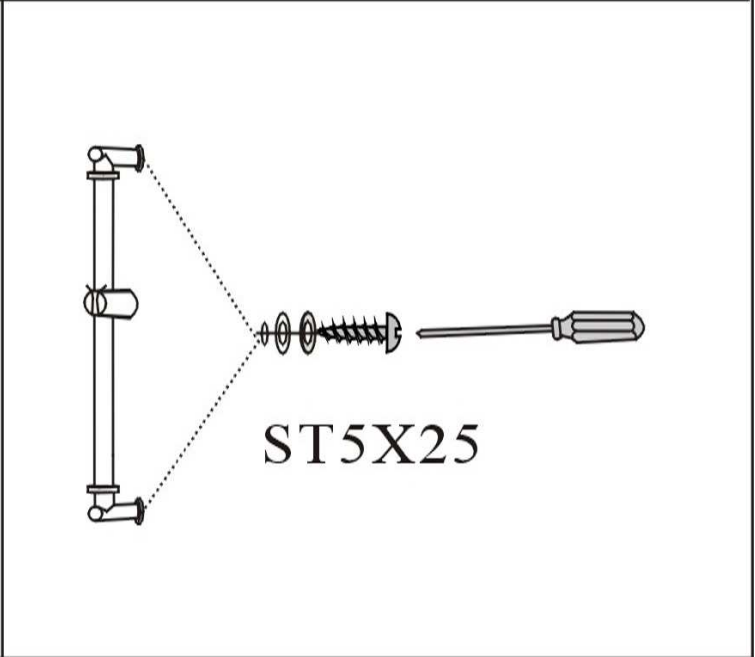
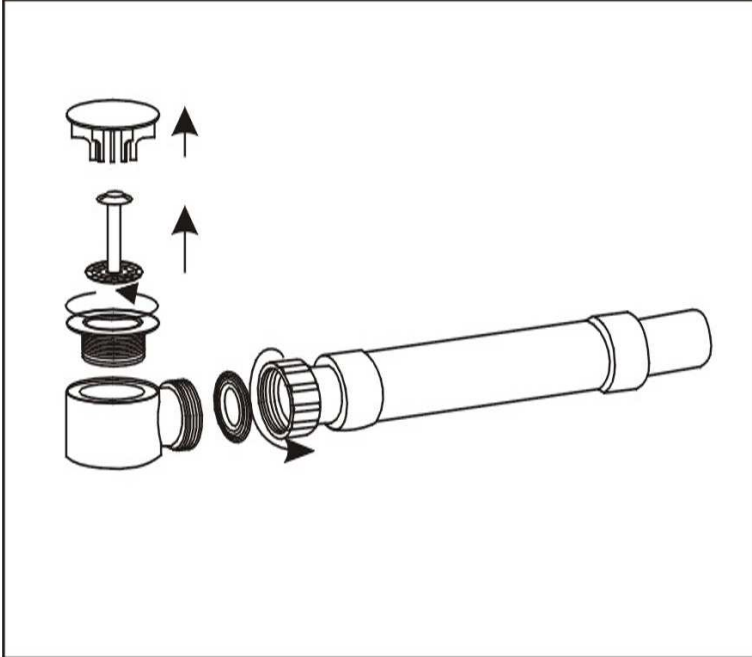
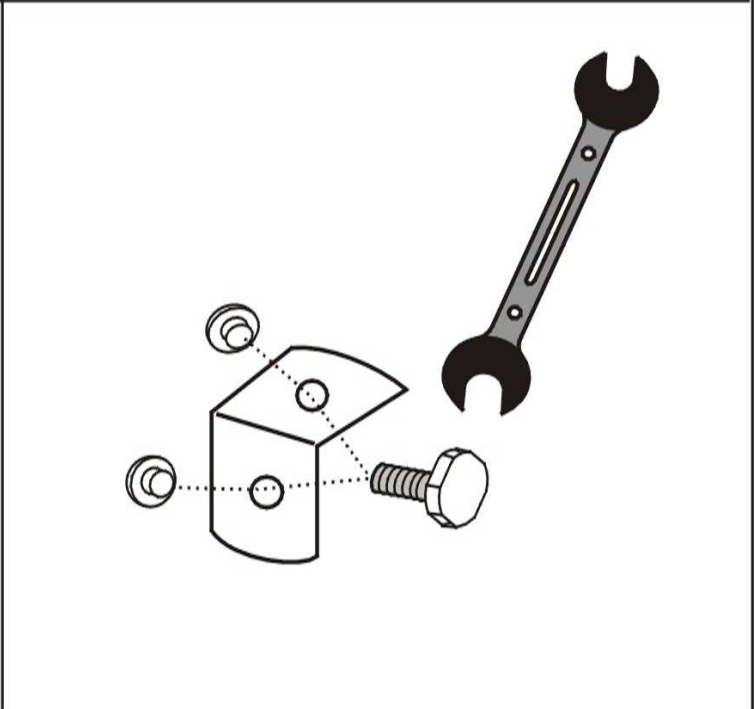
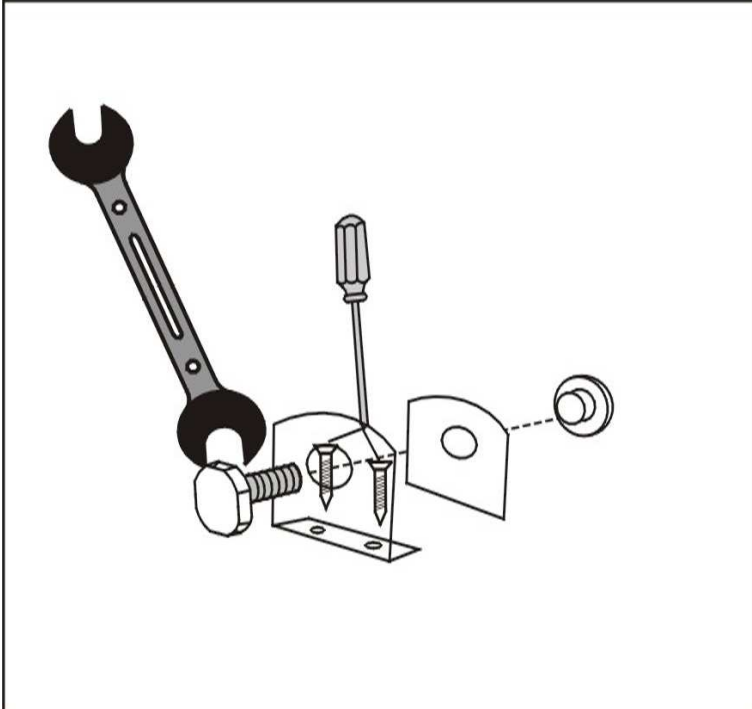
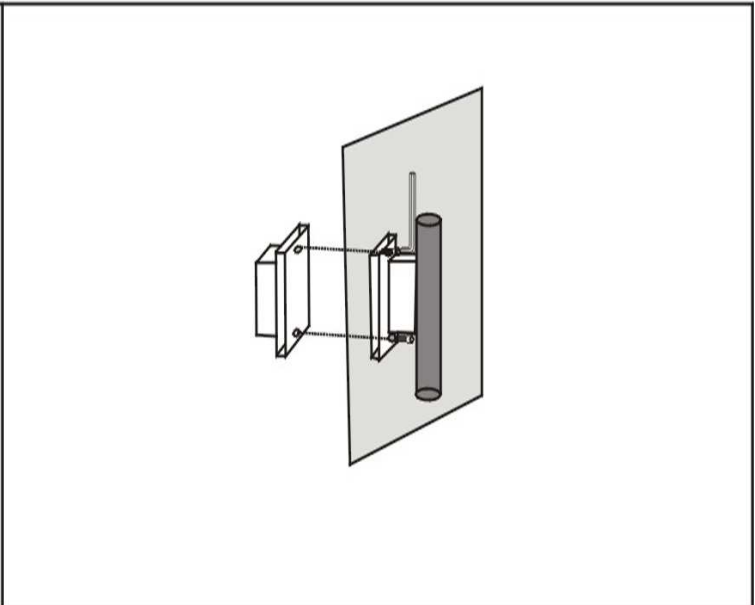
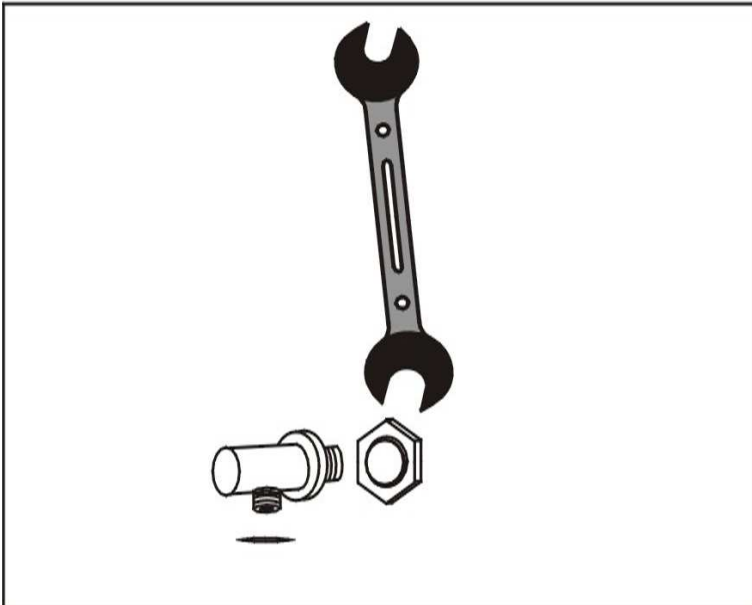


14

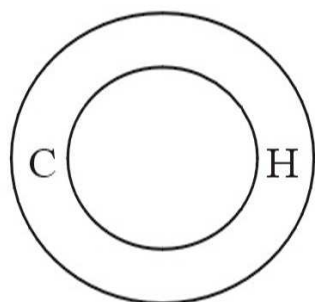




Parts installation



Water massage.



C
Cold water

H
Hot water

Cold/hot water changeover switch

Shower:

(1) Lift the cold/hot water adjust valve to switch on the water supply. Lift and press it properly to get the suitable flow, and turn it left and right to adjust the water temperature. You can enjoy the handle shower bath.

(2) After use, press the cold/hot water adjust valve to turn off the water supply.

Clean and Maintenance

1. General neutral liquid detergent and soft cloth can be used for the daily cleaning of the shower room. Do not use the detergent containing the acetone or ammonia spirit. If there is any sticky dirt on the tub surface caused by sealing, wipe it off gently with a piece of soft cloth soaked with some gasoline.

2. clean waste in water outfall in time to keep water can flow away easily.

3. Do not wipe the gilded or chrome-plated pieces often (keep them away from any organic solvent)

Note: the silicone gas with acid may damage the electroplated surface.

4. Never clean the tub surface with any rough tool with a rough surface or any detergent containing chemical solvents or grains.

5. Never hit or scrape the tub surface with a blunt object or a cutting tool.

6. Check the water pipe and drainage pipe often to see if there is any breakage or bending causing the inconvenience in use. Always keep the drainage pipeline unblocked.

7. Reverted storage or piled storage of this product is not permitted. Keep it away from any organic solvent such as the formic acid and formaldehyde.

8. Don't squeeze, collide or scrape the toughened glass by any hard object to avoid the crack, break or any other damage on the surface.